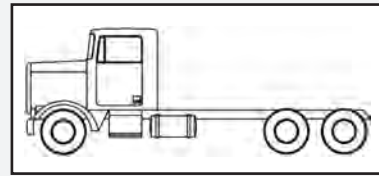


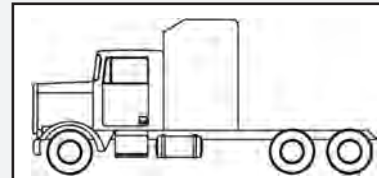
# CAB RACK- BASE UNIT CR

## ORDER INFORMATION

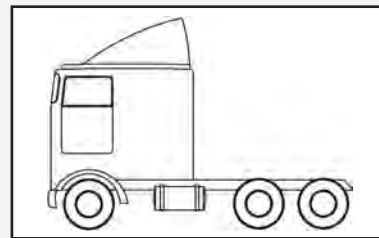
Order #	Description/Dimensions	H" x W"	Shipping Wt.
317 - 3173	Dyna-Light 68" x 70" Radius Corner (*3173 Smooth Panel)		122
318 - 3183	Dyna-Light 68" x 76" Radius Corner (*3183 Smooth Panel)		125
319 - 3193	Dyna-Light 68" x 86" Radius Corner (*3193 Smooth Panel)		130
320 - 3203	Dyna-Light 68" x 80" Radius Corner (*3203 Smooth Panel)		128
321 - 3213	Dyna-Light 73" x 78" For Mack CH series (*3213 Smooth Panel)		133
322 - 3223	Dyna-Light 75" x 86" Radius Corner (*3223 Smooth Panel)		140
3750	Dyna-Light 80" x 76" Tall Cab Application		176
370	Diamondback 68" x 70" 45° Corner		122
371	Diamondback 68" x 86" 45° Corner		130
3172	Dyna-Light 68" x 61" Offset		115
3182	Dyna-Light 68" x 64" Offset		117
3192	Dyna-Light 68" x 69" Offset		120
3202	Dyna-Light 68" x 66" Offset		118
3212	Dyna-Light 73" x 68" Offset		126
3222	Dyna-Light 75" x 69" Offset		133



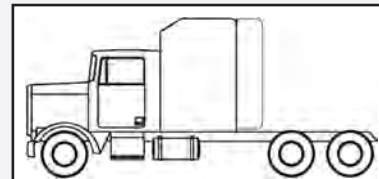
Model #317/318/370 • Conventional Without a Sleeper



Model #320/319/322/371 • Conv. With Sleeper



Model #319/320/322/371 • COE With Sleeper



Model #320 • COE & Conv. W/Sleeper and Fairing Extensions

This cab rack is NOT A SAFETY DEVICE and will NOT PREVENT SERIOUS INJURY or DEATH from forward shifting cargo as a result of an accident or improper securement.

To prevent SERIOUS INJURY or DEATH:

- ALWAYS secure your cargo in compliance with FMCSA/DOT regulations. See 49 CFR 393 for specific requirements.

Be aware of any applicable state motor carrier regulations.

- NEVER consider this cab rack to be part of your cargo securement system. It is not a substitute for any cargo securement device and does not change any of the cargo securement requirements.

- NEVER haul a log trailer or a pole trailer with this cab rack installed.

It is a misuse of the cab rack and is strictly prohibited by Merritt Aluminum Products Company.



- NEVER allow cargo to contact cab rack or use cab rack as a tie down point.

- INSPECT cab rack weekly for cracks or damage. If damaged, replace cab rack.

- CHECK torque of all bolts every 90 days. Bolts on Moon Brackets 150ft.-lbs. dry.

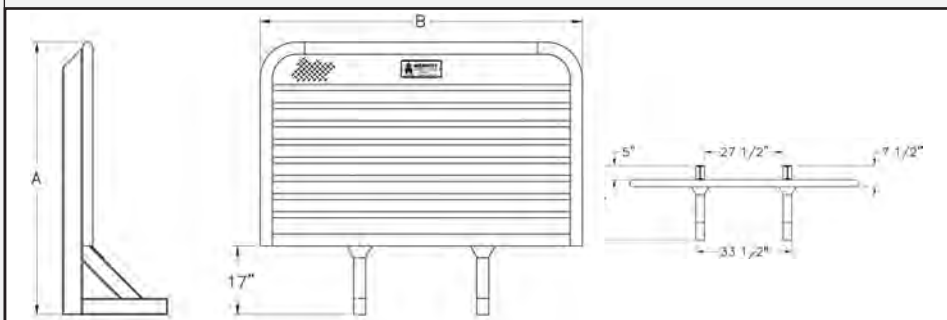
- Use cab rack for storing chains and equipment. For more information, visit [www.merrittproducts.com](http://www.merrittproducts.com)

- ONLY use a Merritt Mounting Kit. If a Merritt Mounting Kit is not used to install a Merritt cab rack, then your cab rack warranty will be void.

**WARNING** NEVER reuse a mounting kit.

- ALWAYS read and follow the Merritt Mounting Kit Assembly Instructions to ensure proper installation.

If you do not have the proper equipment or skill to install the cab rack, take your vehicle to an authorized dealer.



- ▲ Must be Installed to Merritt Specifications with a Merritt Mounting Kit.
- ▲ Mounting Kits not Included. Reference Mounting Kit - Page 3A and 3B

Model	A	B
317 / 370	68"	70"
318	68"	76"
319 / 371	68"	86"
320	68"	80"
321	73"	78"
322	75"	86"
3750	80"	76"
3172	68"	61"
3182	68"	64"
3192	68"	69"
3202	68"	66"
3212	73"	68"
3222	75"	69"

add these from above

### Models and/or Specifications Subject to Change Without Notice.

F.O.B. - Fort Lupton CO, Sacramento CA, Salt Lake City UT, Dallas TX, Houston TX, Kansas City MO, Minneapolis MN, Atlanta GA, Pittsburgh PA, Calgary AB (Canada), Toronto ON (Canada)





FOR THE DEALER NEAREST YOU CALL: **1-800-525-0107**  
**www.merrittproducts.com**

**Builder of High Performance, High Quality Truck Products**

Follow us on Facebook!!

- ▲ Dyna-Tube Extrusion, aerodynamic radius corner shape, for low weight.
- ▲ Offset design to accommodate the new style exhaust systems.
- ▲ 4" Foot assembly provides increased trailer clearance, easier mounting and durability.

- ▲ New T-Beam extrusion Allows Merritt to decrease T-beam profile -by one inch, allowing greater swing room clearance.
- ▲ 5" uprights require less mounting space.

- ▲ Seven Mounting Kits available.
- ▲ Great for storage, one door, two door and full three door enclosures are available. Internal shelves and chain hangers are popular options. Keep your storage items out of the weather and out of sight.

# CAB RACK (CR)



Dyna-Light CR - Pictured W/328 Kit



Diamond Back CR



Smooth Panel Cab Racks

Dyna-Light and Diamond Back CR

1A

**OPTIONS AVAILABLE - ADD TO YOUR CR BASE UNIT** (SEE PAGE 1B FOR DETAILS)



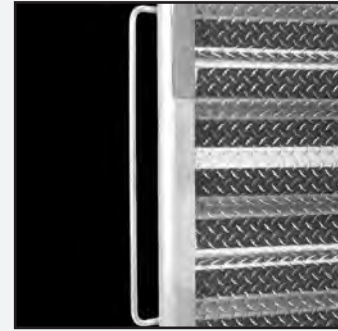
**Jail Bar Window**  
22"W x 25"H  
Order #367 Weight 6



**E-Z View Window**  
26 5/8"W x 22 3/16"H  
Order #369



**E-Z View Full Window**  
Order #386



**Grab Handle, 25"**  
Order #142 Weight 1



**Wide Load Sign, Air Operated**  
Air Operated  
Order #3430 Weight 136



**Top Mount Light Bar, 14" Pad**  
Order #141-1 Weight 7



**Top Mount Light Bar, 51.5" Pad**  
Order #141-2 Weight 19



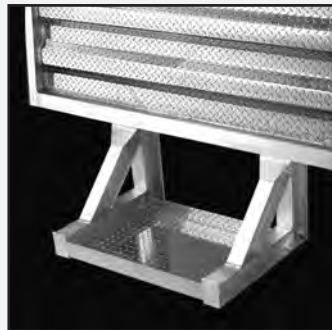
**Bracket, Load Light** Order #144 Weight 1



**Stop & Turn Light Bracket**  
Order #4212 Weight 5  
Order #4232 Two round lights for Diamond Back CR  
Order #4222 Two oval lights Order #4213 Three round lights  
Order #4223 Three oval lights\*  
Order #4211 One round light\* \*will not fit on models 317 or 318



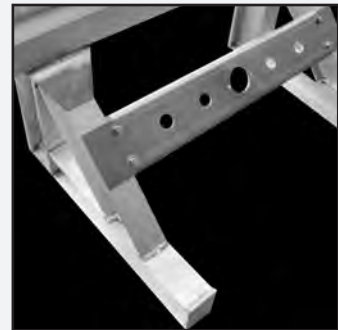
**Tray Panel Mount 12" x 26"**  
Order #336 Weight 8



**20 3/4" x 30 1/2" Base Tray**  
Order #337 Weight 9



**20" x 24" x 24" Tuck-Away Box**  
Order #230 Weight 47



**33" x 7" CR, Between the Foot Bracket**  
Order #W/Holes 4870 W/O Holes #4871 Weight 14

**ADDITIONAL OPTIONS**

Order #	Description	Wt	Order #	Description	Wt	Order #	Description	Wt
128	Chain Rack Without Locking Cover	5	334	Lid Assembly for 24" Tray	4	4212	Stop & Turn Light Bracket	5
1281	HD Chain Rack Without Locking Cover	7	331	Lid Assembly for Full Width Tray	14	413	Beacon Bracket, Sliding	9
147	Chain Rack With Locking Cover	7	330	Center Compartment w/Lid	26	377	Shelf Center Enclosure, 9" Deep	3
1471	HD Chain Rack With Locking Cover	9	335	Top Mount Tarp Tray	20	378	Shelf Center Enclosure, 18" Deep	6
333	Tray, 24" Wide 11.25" H x 8.5" D	13	392	Hose Hanger Assembly	3	379	Retainer, Chain Center Enclosure	3
333-18	Tray, 18" Wide 11.25" H x 8.5" D	11	341	Enclosure Shelf for Model 340	7	380	Chain Rack, Single	3
329	Tray, Full Width 11.25" H x 8.5" D	20	143	Load Light with Lexan Cover	1			
332	Divider Panel for Full Width Trays	1						

Models and/or Specifications Subject to Change Without Notice.

F.O.B. - Fort Lupton CO, Sacramento CA, Salt Lake City UT, Dallas TX, Houston TX, Kansas City MO, Minneapolis MN, Atlanta GA, Pittsburgh PA, Calgary AB (Canada), Toronto ON (Canada)

Copyright © 2017 Merritt Aluminum Products Company. All Rights Reserved.



**OPTIONS AVAILABLE - ADD TO YOUR CR BASE UNIT** (SEE PAGE 1B FOR DETAILS)



*Deluxe Option Kit-Full Tray  
with Two Locking Chain Racks*  
Order #328 Weight 28



*Deluxe Option Kit- 24" Trays or 18" Trays  
with Two Locking Chain Racks*  
Order #363 Weight 24



*Chain Rack with Locking Cover*  
Order #147 Weight 7  
Order #147-1 Weight 9



*Center 373-1 (44 x 10 x 26)  
Enclosure 375 (44 x 18 x 27)*  
Weight 373-1 (55) 375 (67)



*Side Enclosures 9" Deep*  
Order #381 Weight 63  
Not available on model 317



*Full Two or Three Door Enclosures - 14" O.D/11" I.D.*  
317=2 Door • 318, 319, 320, 321, 322=3 Door  
Order #340 Weight 118



*3 Door Deep Drop Enclosure - 14" O.D/11" I.D.*  
319, 320, 321 & 322 Models  
Order #390 Weight 116  
Smooth Enclosures for Cab Racks  
340-3405, 390-3905, 3402-3406 Models



*Full Two or Three Door Enclosures - 14" O.D/11" I.D.*  
317=2 Door • 318, 319, 320, 321, 322=3 Door  
Order #3400 Weight 118 W/Polished Aluminum Doors  
Order #3401 Weight 163 W/Stainless Steel Doors



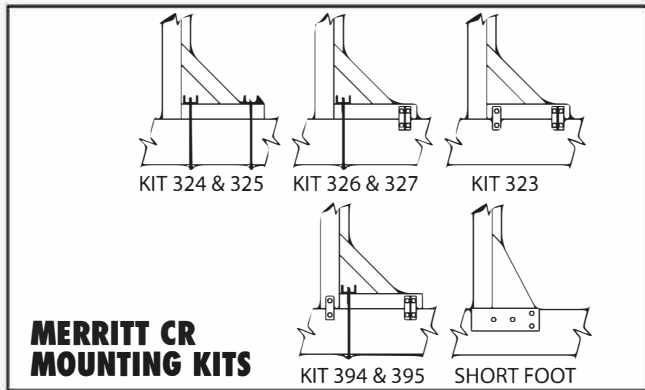
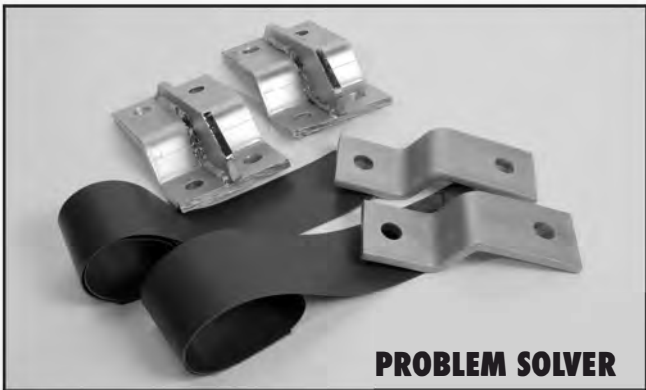
*Jail Bar Three Door Enclosures - 14" O.D/11" I.D.*  
Order 3402 Weight 118

**Models and/or Specifications Subject to Change Without Notice.**

F.O.B. - Fort Lupton CO, Sacramento CA, Salt Lake City UT, Dallas TX, Houston TX, Kansas City MO,  
Minneapolis MN, Atlanta GA, Pittsburgh PA, Calgary AB (Canada), Toronto ON (Canada)

ALUMINUM PRODUCTS  
**MERRITT**  
1-800-525-0107

# CR MOUNTING KITS



## DYNA-CLAMP\*

Order #	Description/Dimensions	Weight
324	Dyna-Clamp Kit (17" U-bolts) <i>For Frame Rails 11" Deep or Less</i>	31
325	Dyna-Clamp Kit (21" U-bolts) <i>For Frame Rails Over 11"</i>	33

*Designed for most installation needs*

**\*All parts zinc coated for corrosion resistance.**

## PROBLEM SOLVER\*

Order #	Description/Dimensions	Weight
323	Problem Solver Kit <i>(nuts and bolts not included)</i>	15

*Designed for difficult installations in and around air tanks, hanger brackets, crossmembers, fuel tanks, etc*

**MOUNTING KIT SELECTION:** Merritt offers several mounting kits as indicated in the diagram above. The operator is directed to select the best system for the application. If your installation application requires maximum attachment, we refer you to the 394 and 395 kits. If your installation application could be forced to move or slip on the frame, we refer you to any one of the systems 323, 326, 327, 394, 395 and the short foot which all bolt through the frame as part of the mounting.

## DELUXE KIT\*

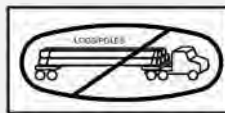
Order #	Description/Dimensions	Weight
326	Deluxe Mounting Kit (17" U-bolts) <i>For Frame Rails 11" Deep or Less</i>	25
327	Deluxe Mounting Kit (21" U-bolts) <i>For Frame Rails Over 11"</i>	26

*Designed to give an extra option for problem installations.  
Two Brackets and Two U-Bolts.*

## 3-POINT MOUNTING KIT\*

Order #	Description/Dimensions	Weight
394	3-Point Mounting Kit (17" U-bolts) <i>For Frame Rails 11" Deep or Less</i>	35
395	3-Point Mounting Kit (21" U-bolts) <i>For Frame Rails Over 11"</i>	36

*Four Brackets and Two U Bolts.*



▲ Merritt CR's are not to be used in conjunction with log trailers or pole trailers.

**Models and/or Specifications Subject to Change Without Notice.**

F.O.B. - Fort Lupton CO, Sacramento CA, Salt Lake City UT, Dallas TX, Houston TX, Kansas City MO, Minneapolis MN, Atlanta GA, Pittsburgh PA, Calgary AB (Canada), Toronto ON (Canada)

Copyright © 2017 Merritt Aluminum Products Company. All Rights Reserved.





FOR THE DEALER NEAREST YOU CALL: **1-800-525-0107**  
**www.merrittproducts.com**

**Builder of High Performance, High Quality Truck Products**

Follow us on Facebook!!

- ▲ 7 models to choose from, to allow you flexibility for your needs.
- ▲ Metal surfaces are Zinc plated for durability and appearance.
- ▲ Dyna-Clamps can be mounted with u-bolt up or down position.
- ▲ Deluxe kit and Problem Solver kits for the times when items block the frame rail and a clamp will not work. (drilling required & nuts/bolts/washers not included for the side brackets)
- ▲ Stress blocks are included to fit between the u-bolt and the CR leg. This spreads the clamping force over a larger area.

# CR MOUNTING KITS



DYNA-CLAMP

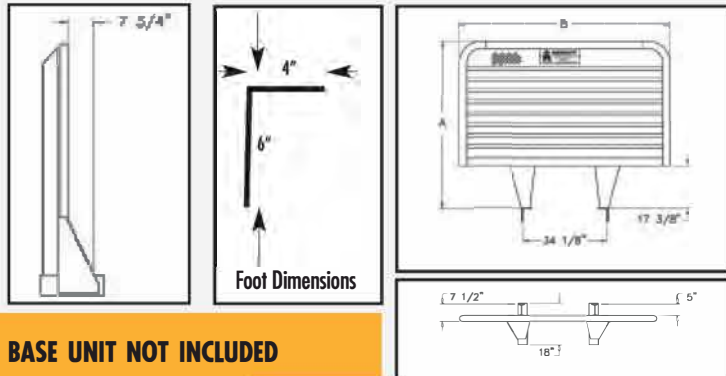
# SHORT FOOT CR OPTION

## ORDER INFORMATION

**Order Description/Dimensions H" X W" Shipping Wt.**

301	<i>Short Ft. Option, Add to any Merritt CR</i>		
317301	Dyna-Light 68" x 70" Radius Corner		122
318301	Dyna-Light 68" x 76" Radius Corner		125
319301	Dyna-Light 68" x 86" Radius Corner		130
320301	Dyna-Light 68" x 80" Radius Corner		128
321301	Dyna-Light 73" x 78" Radius Corner		133
322301	Dyna-Light 75" x 86" Radius Corner		140
3750301	Dyna-Light 80" x 76" Radius Corner		176
370301	Diamond Back 68" x 70" 45° Corner		122
371301	Diamond Back 68" x 86" 45° Corner		130

- ▲ Use grade 8 bolts to mount. Refer to the Merritt Mounting Instructions for correct installation. (Not Included)
- ▲ Requires drilling frame rail



## OPTIONS - ADD TO SHORT FOOT CR BASE UNIT NOT INCLUDED

\*PRICE OF #301 INCLUDED IN OPTION

Order #	Description	Shipping Wt.
*663	2 (147) Locking Chain Racks and 2 (602) 18" Panel Mount Trays	22
*664	2 (147) Locking Chain Racks and 2 (603) 24" Panel Mount Trays	24
128	Chain Rack Without Locking Cover	5
147	Chain Rack With Locking Cover	7
145	Stop & Turn Light Bracket	5
142	Grab Handle, 25"	1
143	Load Light With Lexan Cover	1
144	Bracket, Load Light	1
335	Tarp Tray, Top Mount	20
341	Enclosure Shelf	7
336	Tray, 30" Panel Mount	8
340	Full Enclosure 14"OD/11"ID	118
369	E-Z View Window	
373	Center Enclosure 10" Deep	55
375	Center Enclosure 18" Deep	67
381	Side Enclosure 9" Deep	63
601	2 Ctr Mntd, Locking Chain Racks	10
602	18" L Panel Mount Tray, 5"D x 12"H	6
603	24" L Panel Mount Tray, 5"D x 12"H	7
604	Full Panel Mount Tray, 5"D x 12"H	18
605	Low Mount Tray, Outside 18"W x 18"H x 10"D	9
606	Low Mount Tray, Center 28"W x 18"H x 10"D	11
607	Lid for Low Mount Tray, Center	5



5" Deep Full Tray with Two Locking Chain Racks  
\*Order #628 Weight 28



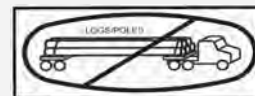
Low Mount Tray Order #605 Weight 9

Model	A	B
317 / 370	68"	70"
318	68"	76"
319 / 371	68"	86"
320	68"	80"
321	73"	78"
322	75"	86"
3750	80"	76"

This cab rack is NOT A SAFETY DEVICE and will NOT PREVENT SERIOUS INJURY or DEATH from forward shifting cargo as a result of an accident or improper securement.

To prevent SERIOUS INJURY or DEATH:

- ALWAYS secure your cargo in compliance with FMCSA/DOT regulations. See 49 CFR 393 for specific requirements.
- Be aware of any applicable state motor carrier regulations.
- NEVER consider this cab rack to be part of your cargo securement system. It is not a substitute for any cargo securement device and does not change any of the cargo securement requirements.
- NEVER allow cargo to contact cab rack or use cab rack as a tie down point.
- NEVER haul a log trailer or a pole trailer with this cab rack installed. It is a misuse of the cab rack and is strictly prohibited by Merritt Aluminum Products Company.



- INSPECT cab rack weekly for cracks or damage. If damaged, replace cab rack.
- CHECK torque of all bolts every 90 days. Bolts on Moon Brackets 150ft.-lbs. dry.
- Use cab rack for storing chains and equipment. For more information, visit [www.merrittproducts.com](http://www.merrittproducts.com)
- ONLY use a Merritt Mounting Kit. If a Merritt Mounting Kit is not used to install a Merritt cab rack, then your cab rack warranty will be void.
- **WARNING** NEVER reuse a mounting kit.
- ALWAYS read and follow the Merritt Mounting Kit Assembly Instructions to ensure proper installation.
- If you do not have the proper equipment or skill to install the cab rack, take your vehicle to an authorized dealer.

Models and/or Specifications Subject to Change Without Notice.

F.O.B. - Fort Lupton CO, Sacramento CA, Salt Lake City UT, Dallas TX, Houston TX, Kansas City MO, Minneapolis MN, Atlanta GA, Pittsburgh PA, Calgary AB (Canada), Toronto ON (Canada)





FOR THE DEALER NEAREST YOU CALL: **1-800-525-0107**  
**www.merrittproducts.com**

**Builder of High Performance, High Quality Truck Products**

Follow us on Facebook!!

- ▲ Increased clearance over the standard Cab Rack.
- ▲ Fits any Merritt CR, Dyna-Light or Diamond Back. (15 Models)
- ▲ Drill pattern mounting instruction attached to the foot for ease of installation.

- ▲ Great for storage, one door, two door and full three door enclosures are available. Internal shelves and chain hangers are popular options. Keep your storage items out of the weather and out of sight.
- ▲ Fits all standard truck frame widths.

- ▲ Special tray options are available to maximize trailer swing clearance. (See option order information)
- ▲ Stocked in most Merritt warehouse locations.

# SHORT FOOT CR OPTION



Optional Short Foot **4A**



# NORTHERN-LIGHT CR

ORDER INFORMATION

Order #	Description/Dimensions H" x W"	Shipping Wt.
3700	8" Deep, All Diamond Plate CR 68 x 84	302
3701	8" Deep, Bright Smooth Doors CR 68 x 84	302
3702	8" Deep, Stainless Steel Doors CR 68 x 84	302
3710	11" Deep, All Diamond Plate CR 68 x 84	340
3711	11" Deep, Bright Smooth Doors CR 68 x 84	340
3712	11" Deep, Stainless Steel Doors CR 68 x 84	340
3240	Northern-Light Clamp Kit (14" U-bolts)	31



Three LED stop/turn lights in each corner.



Three LED Marker lights centered



The foot is made of steel and is Zinc plated for anti-rust and a finished look.



Foot assembly with the cut outs for the U-bolts to mount through and also, the pre-drilled mounting holes for side mounting. Your choice!



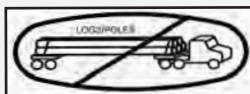
Inside view of the foot. Please note the design to achieve the strength needed

- ▲ Must be Installed to Merritt Specifications with a Merritt Mounting Kit.
- ▲ Mounting Kits not Included. Reference Mounting Kit - Page 3A and 3B

This cab rack is NOT A SAFETY DEVICE and will NOT PREVENT SERIOUS INJURY or DEATH from forward shifting cargo as a result of an accident or improper securement.

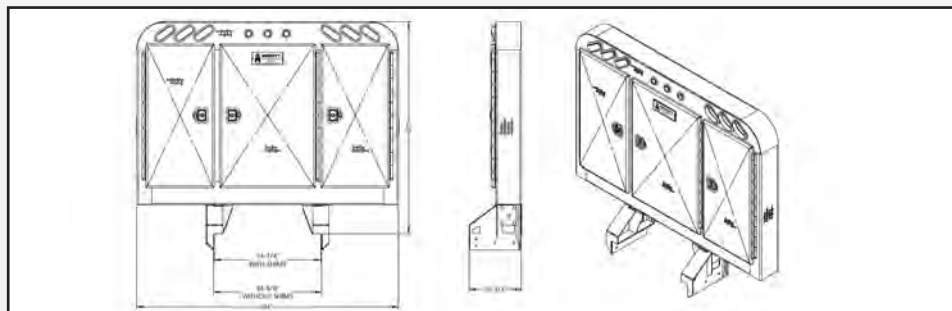
To prevent SERIOUS INJURY or DEATH:

- ALWAYS secure your cargo in compliance with FMCSA/DOT regulations. See 49 CFR 393 for specific requirements. Be aware of any applicable state motor carrier regulations.
- NEVER consider this cab rack to be part of your cargo securement system. It is not a substitute for any cargo securement device and does not change any of the cargo securement requirements.
- NEVER haul a log trailer or a pole trailer with this cab rack installed. It is a misuse of the cab rack and is strictly prohibited by Merritt Aluminum Products Company.
- NEVER allow cargo to contact cab rack or use cab rack as a tie down point.
- INSPECT cab rack weekly for cracks or damage. If damaged, replace cab rack.
- CHECK torque of all bolts every 90 days. Bolts on Moon Brackets 150ft.-lbs. dry.
- Use cab rack for storing chains and equipment. For more information, visit [www.merrittproducts.com](http://www.merrittproducts.com)
- ONLY use a Merritt Mounting Kit. If a Merritt Mounting Kit is not used to install a Merritt cab rack, then your cab rack warranty will be void.



**WARNING** NEVER reuse a mounting kit.

- ALWAYS read and follow the Merritt Mounting Kit Assembly Instructions to ensure proper installation. If you do not have the proper equipment or skill to install the cab rack, take your vehicle to an authorized dealer.



Center compartment with 2 shelves



Chain hangers in each side compartment



No rear Beams. You can get the unit closer to the cab than a normal CR.

Models and/or Specifications Subject to Change Without Notice.

F.O.B. - Fort Lupton CO, Sacramento CA, Salt Lake City UT, Dallas TX, Houston TX, Kansas City MO, Minneapolis MN, Atlanta GA, Pittsburgh PA, Calgary AB (Canada), Toronto ON (Canada)





FOR THE DEALER NEAREST YOU CALL: **1-800-525-0107**

**www.merrittproducts.com**

**Builder of High Performance, High Quality Truck Products**

Follow us on Facebook!!

- ▲ The All New Northern-Light CR unit comes standard with a 3 door enclosure and LED lights (as shown).
- ▲ 6' Wiring harness
- ▲ 2 chain hangers in each outside compartment.

- ▲ 2 heavy duty shelves in the center compartment.
- ▲ The enclosure is 8" deep / 9" with the door.
- ▲ The unique foot allows you to mount it with a 3240 U-bolt kit or it can mount like a Short Foot by bolting through the frame web.

- ▲ It does not have rear beams, you can mount the unit 5" closer than a normal enclosure unit.
- ▲ Northern - Light CR, 68" X 84", with lights, shelves and chain hangers.
- ▲ Stocked in most Merritt warehouse locations.

# NORTHERN-LIGHT CR



Northern-Light CR 3-Door Enclosure

Northern-Light CR

5A

# ALUMINUM DYNA-DROM CR

## ORDER INFORMATION

Order #	Description/Dimensions	Weight
302	Dyna-Drom 68 x 80 x 30	212
303	Dyna-Drom 68 x 80 x 48	271
304	Dyna-Drom 68 x 80 x 72	319
305	Dyna-Drom 68 x 80 x 96	388
<b>414</b>	<b>Enclosure 3-Door 64 x 80 x 14</b>	<b>127</b>
346	Dyna-Drom 68 x 86 x 30	227
347	Dyna-Drom 68 x 86 x 48	291
348	Dyna-Drom 68 x 86 x 72	343
349	Dyna-Drom 68 x 86 x 96	417
<b>356</b>	<b>Enclosure 3-Door 64 x 86 x 14</b>	<b>136</b>
342	Dyna-Drom 68 x 96 x 30	244
343	Dyna-Drom 68 x 96 x 48	300
344	Dyna-Drom 68 x 96 x 72	360
345	Dyna-Drom 68 x 96 x 96	440
<b>357</b>	<b>Enclosure 3-Door 64 x 96 x 14</b>	<b>145</b>

### Order # Mounting Kit

351	Drom Mounting Kit for Decks to 4', 14" Bolts
353	Drom Mounting Kit for Decks 4'6" to 8', 14" Bolts
354	Drom Mounting Kit for Decks 8'6" & over, 14" Bolts

*17" U-bolts are available upon request for chassis with deep frame dimensions.*

Order #	Options/Description	Weight
142	Grab Handle, 25"	1
143	Load Light, with Lexan cover	1
144	Bracket, Load Light	1
145	Stop & Turn Light Bracket	5
369	E-Z View Window	—
386	E-Z View Window Full View	—
128	Chain Rack, without cover	3
147	Chain Rack, with locking cover	5
359	Chain Tray, Drom, full width	27
360	Divider Tray	1
341	Enclosure Shelf	7
361	Lid Assembly, full width Chain Tray	18

- ▲ *Must be installed to Merritt Specifications with a Merritt Mounting Kit.*
- ▲ *Mounting Kits not Included.*

#### Enclosures

- ▲ *Extruded door frame with a full perimeter automotive grade door seal*
- ▲ *Piano style hinges, 1/2" Knuckle Length*
- ▲ *Add the enclosure to your choice of Drom*
- ▲ *80" Wide-3 door*    ▲ *86" Wide-3 door*    ▲ *96" Wide-3 door*
- ▲ *Stainless steel door option available*

This drom is NOT A SAFETY DEVICE and will NOT PREVENT SERIOUS INJURY or DEATH from forward shifting cargo as a result of an accident or improper securement.

To prevent SERIOUS INJURY or DEATH:

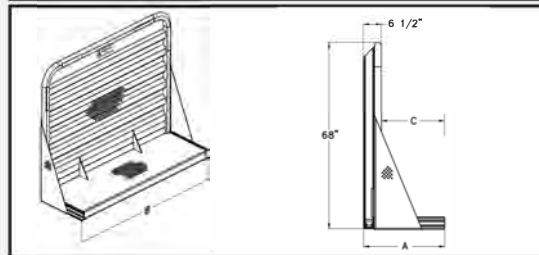
- ALWAYS secure your cargo in compliance with FMCSA/DOT regulations. See 49 CFR 393 for specific requirements. Be aware of any applicable state motor carrier regulations.
- NEVER consider this drom to be part of your cargo securement system. It is not a substitute for any cargo securement device and does not change any of the cargo securement requirements.
- NEVER allow cargo to contact drom or use drom as a tie down point.
- NEVER haul a log trailer or a pole trailer with this drom installed. It is a misuse of the drom and is strictly prohibited by Merritt Aluminum Products Company.



- INSPECT drom weekly for cracks or damage. If damaged, replace drom.
- CHECK torque of all bolts every 90 days. Bolts on J-Hooks 90 ft.-lbs. dry and bolts on Moon Brackets 100ft.-lbs. dry.
- Use drom for storing chains and equipment. For more information, visit [www.merrittproducts.com](http://www.merrittproducts.com)
- ONLY use a Merritt Mounting Kit. If a Merritt Mounting Kit is not used to install a Merritt drom, then your drom warranty will be void.

**WARNING** NEVER reuse a mounting kit.

- ALWAYS read and follow the Merritt Mounting Kit Assembly Instructions to ensure proper installation. If you do not have the proper equipment or skill to install the drom, take your vehicle to an authorized dealer.



Model	A	B	C
302	30"	80"	23 1/2"
346	30"	86"	23 1/2"
342	30"	96"	23 1/2"
303	48"	80"	41 1/2"
347	48"	86"	41 1/2"
343	48"	96"	41 1/2"
304	72"	80"	65 1/2"
348	72"	86"	65 1/2"
344	72"	96"	65 1/2"
305	96"	80"	89 1/2"
349	96"	86"	89 1/2"
345	96"	96"	89 1/2"

Models and/or Specifications Subject to Change Without Notice.

F.O.B. - Fort Lupton CO, Sacramento CA, Salt Lake City UT, Dallas TX, Houston TX, Kansas City MO, Minneapolis MN, Atlanta GA, Pittsburgh PA, Calgary AB (Canada), Toronto ON (Canada)

Copyright © 2017 Merritt Aluminum Products Company. All Rights Reserved.





FOR THE DEALER NEAREST YOU CALL: **1-800-525-0107**  
**www.merrittproducts.com**

**Builder of High Performance, High Quality Truck Products**

Follow us on Facebook!!

▲ Great for storage, one door, two door and full three door enclosures are available. Internal shelves and chain hangers are popular options. Keep your storage items out of the weather and out of sight.

▲ Drom decks available from 30" to 96". ( See drawing on page 5B - Dimension A )

▲ Decks are designed to carry 1000#lbs. per linear foot, allowing for more cargo carrying area.

▲ Aerodynamic shape patterned with the new truck designs.

▲ Full enclosure option available on all models.

# ALUMINUM DYNA-DROM CR



Aluminum Dyna-Drom CR

6A

# ALUMINUM CABINET CR

## ORDER INFORMATION

Order #	Description/Dimensions H x W x D	Shipping Wt.
310	Cabinet-CR 68" x 84" x 18"	320
309	Tarp Strap Holders	1
311	Problem Solver Mounting Kit	81
312	Side Door Assembly (left or right)	16
313	Sliding Beacon Bracket	10
314	Chain Hangers	2
392	Hose Tender	6

- ▲ Use grade 8 bolts to mount. Refer to the Merritt Mounting Instructions for correct installation.
- ▲ Extruded Door Frame with a Full Perimeter Automotive Grade Door Seal.
- ▲ Piano Style Hinges
- ▲ Diamond Plate Surface
- ▲ Stainless Steel Door Locks with Dust Covers.
- ▲ New Side Door Option for Easier Access to Your Storage Areas.
- ▲ UHMW used for Lock Striker Plate, for Easier Operation and Longer Life.



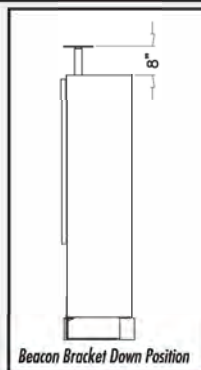
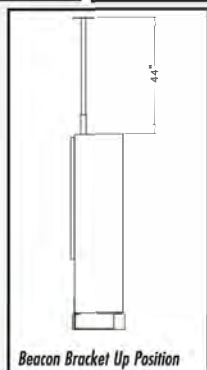
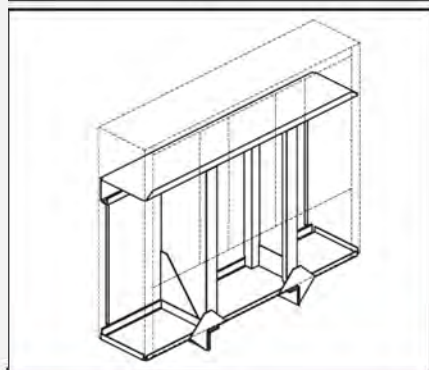
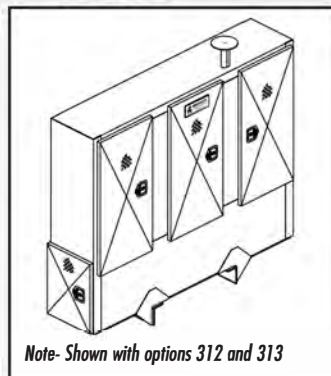
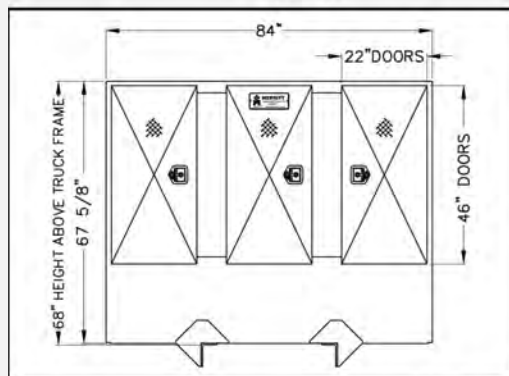
Side View



Internal View



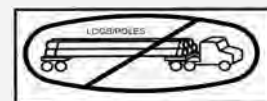
#313 Sliding Beacon Bracket and #392 Hose Tender



This cab rack is NOT A SAFETY DEVICE and will NOT PREVENT SERIOUS INJURY or DEATH from forward shifting cargo as a result of an accident or improper securement.

To prevent SERIOUS INJURY or DEATH:

- ALWAYS secure your cargo in compliance with FMCSA/DOT regulations. See 49 CFR 393 for specific requirements.
- Be aware of any applicable state motor carrier regulations.
- NEVER consider this cab rack to be part of your cargo securement system. It is not a substitute for any cargo securement device and does not change any of the cargo securement requirements.
- NEVER allow cargo to contact cab rack or use cab rack as a tie down point.
- NEVER haul a log trailer or a pole trailer with this cab rack installed. It is a misuse of the cab rack and is strictly prohibited by Merritt Aluminum Products Company.



- INSPECT cab rack weekly for cracks or damage. If damaged, replace cab rack.
- CHECK torque of all bolts every 90 days.  
Bolts on Moon Brackets 150ft.-lbs. dry.
- Use cab rack for storing chains and equipment. For more information, visit [www.merrittproducts.com](http://www.merrittproducts.com)
- ONLY use a Merritt Mounting Kit. If a Merritt Mounting Kit is not used to install a Merritt cab rack, then your cab rack warranty will be void.

**WARNING** NEVER reuse a mounting kit.

- ALWAYS read and follow the Merritt Mounting Kit Assembly Instructions to ensure proper installation.
- If you do not have the proper equipment or skill to install the cab rack, take your vehicle to an authorized dealer.

Models and/or Specifications Subject to Change Without Notice.

F.O.B. - Fort Lupton CO, Sacramento CA, Salt Lake City UT, Dallas TX, Houston TX, Kansas City MO, Minneapolis MN, Atlanta GA, Pittsburgh PA, Calgary AB (Canada), Toronto ON (Canada)

Copyright © 2017 Merritt Aluminum Products Company. All Rights Reserved.





FOR THE DEALER NEAREST YOU CALL: **1-800-525-0107**

**[www.merrittproducts.com](http://www.merrittproducts.com)**

**Builder of High Performance, High Quality Truck Products**

Follow us on Facebook!! 

- ▲ Large storage area, keep your storage items out of the weather and out of sight.
- ▲ No rear uprights, allowing for closer installation to the truck cab, a real space saver.
- ▲ Chain hangers and a full width top shelf are built into the design of the Cabinet CR.
- ▲ Full three door enclosure. A very compact, usable storage unit.
- ▲ Additional mounting brackets not required for standard installations (drilling is required.) A problem solver, mounting system is available for non-standard applications.
- ▲ Side door option available for easy access from the ground.
- ▲ Break-off tabs are on the foot to fit all standard frame widths.
- ▲ Smooth Doors are available

# ALUMINUM CABINET CR



Aluminum Cabinet CR

7A

# ALUMINUM TOOL BOXES

## ORDER INFORMATION

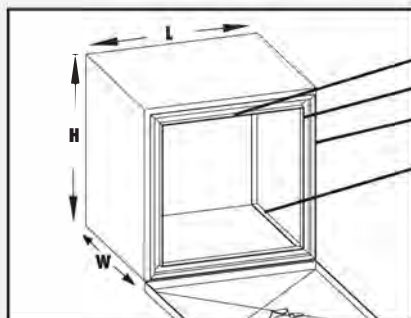
Order #	Description/Dimensions H x W x L	Weight Lbs.	Order #	Description/Dimensions H x W x L	Weight Lbs.
201	18x18x18 Smooth Single Door	25	202	18x18x18 Dia. Plate Single Door	28
203	18x18x24 Smooth Single Door	36	204	18x18x24 Dia. Plate Single Door	37
205	18x18x30 Smooth Single Door	42	206	18x18x30 Dia. Plate Single Door	43
207	18x18x36 Smooth Single Door	48	208	18x18x36 Dia. Plate Single Door	49
287	18x18x36 Smooth Double Door	49	288	18x18x36 Dia. Plate Double Door	50
209	18x18x48 Smooth Single Door	60	210	18x18x48 Dia. Plate Single Door	61
211	18x18x48 Smooth Double Door	61	212	18x18x48 Dia. Plate Double Door	62
289	18x18x60 Smooth Single Door	69	290	18x18x60 Dia. Plate Single Door	70
291	18x18x60 Smooth Double Door	70	292	18x18x60 Dia. Plate Double Door	71
213	24x24x24 Smooth Single Door	47	214	24x24x24 Dia. Plate Single Door	48
215	24x24x30 Smooth Single Door	56	216	24x24x30 Dia. Plate Single Door	57
217	24x24x36 Smooth Single Door	64	218	24x24x36 Dia. Plate Single Door	65
235	24x24x36 Smooth Double Door	61	236	24x24x36 Dia. Plate Double Door	61
219	24x24x48 Smooth Single Door	77	220	24x24x48 Dia. Plate Single Door	78
221	24x24x48 Smooth Double Door	79	222	24x24x48 Dia. Plate Double Door	80
223	24x24x60 Smooth Single Door	105	224	24x24x60 Dia. Plate Single Door	106
225	24x24x60 Smooth Double Door	107	226	24x24x60 Dia. Plate Double Door	108
293	18x24x48 Smooth Single Door	66	294	18x24x48 Dia. Plate Single Door	67
295	18x24x48 Smooth Double Door	67	296	18x24x48 Dia. Plate Double Door	68
297	18x24x60 Smooth Single Door	87	298	18x24x60 Dia. Plate Single Door	88
299	18x24x60 Smooth Double Door	88	300	18x24x60 Dia. Plate Double Door	89

\* STAINLESS STEEL DOOR OPTION AVAILABLE

\* CUSTOM DESIGNS & SIZES AVAILABLE

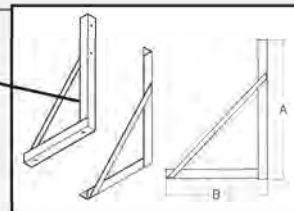
### OPTIONS

Order #	Description/Dimensions H x W x L	Weight Lbs.	Order #	Description/Dimensions H x W x L	Weight Lbs.
1518	18" Lanyard Kit, Tool Box	1	2424	Shelf, Bolt-In, for 24x24 Tool Box	10
1519	24" Lanyard Kit, Tool Box	1	2430	Shelf, Bolt-In, for 24x30 Tool Box	12
1824	Shelf, Bolt-In, for 18x24 Tool Box	7	2436	Shelf, Bolt-In, for 24x36 Tool Box	15
1830	Shelf, Bolt-In, for 18x30 Tool Box	10	2448	Shelf, Bolt-In, for 24x48 Tool Box	19
1836	Shelf, Bolt-In, for 18x36 Tool Box	12	2460	Shelf, Bolt-In, for 24x60 Tool Box	23
1848	Shelf, Bolt-In, for 18x48 Tool Box	16			
1860	Shelf, Bolt-In, for 18x60 Tool Box	23			



- ▲ UHMW Plastic used on striker plate for longer latch assembly life and easier operation
- ▲ Automotive grade door seals, secures the entire perimeter, for a more water resistant seal
- ▲ Merritt's extruded door frame provides a weather resistant seal.
- ▲ Lap joint weld provides material overlap in the corner where it is needed for superior strength and longer life (compared to most boxes that are constructed with butt welds).

▲ Vertical angle is high strength alloy and 1/4" thick



### ZINC PLATED STEEL MOUNTING BRACKETS

Order #		A	B	Weight
117	For 18" Deep Tool Box	23-13/16"	16"	18
118	For 24" Deep Tool Box	29-13/16"	22"	25
620	E-Z Mounting Kit for 18" tool boxes			24
621	E-Z Mounting Kit for 24" tool boxes			31

- ▲ Steel for strength and low cost, Zinc Plated for lasting good looks!
- ▲ Available for 18" or 24" deep Tool Boxes
- ▲ Lightweight design - 117 only 18 lbs, 118 only 25 lbs.

Models and/or Specifications Subject to Change Without Notice.

F.O.B. - Fort Lupton CO, Sacramento CA, Salt Lake City UT, Dallas TX, Houston TX, Kansas City MO, Minneapolis MN, Atlanta GA, Pittsburgh PA,  
Calgary AB (Canada), Toronto ON (Canada)





FOR THE DEALER NEAREST YOU CALL: **1-800-525-0107**  
**www.merrittproducts.com**

**Builder of High Performance, High Quality Truck Products**

Follow us on Facebook!!

- ▲ Constructed of high strength/low weight aluminum.
- ▲ Protective coating on smooth doors for improved shipping protection (to be removed at time of installation.)
- ▲ 40 Standard base models
- ▲ Polished stainless steel T- handle latches with locks.
- ▲ Doors available in smooth finish or diamond plate. All smooth doors are polished to a # 8 grade for an exceptional appearance.
- ▲ Piano style door hinge.
- ▲ Stainless Steel doors are available by special order.
- ▲ Custom sizes and designs are available to meet specific needs.
- ▲ Door lanyard option available.
- ▲ Stocked in most Merritt warehouse locations.

# ALUMINUM TOOL BOXES



Diamond Plate Double Door



Diamond Plate Single Door



Smooth Double Door



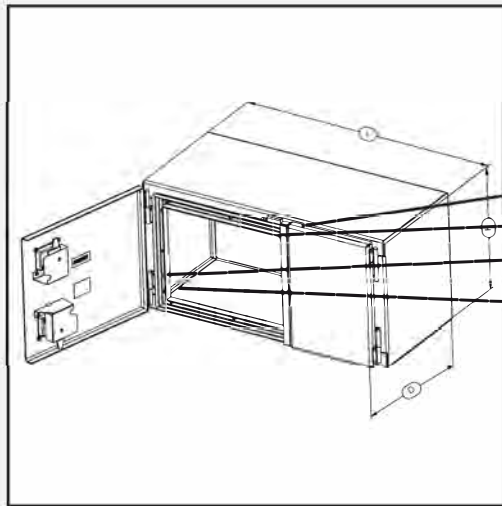
Smooth Single Door



# S-SERIES ALUMINUM BOXES

## ORDER INFORMATION

Order #	Description/Dimensions H x W x L	Weight Lbs.	Order #	Description/Dimensions H x W x L	Weight Lbs.
3573	Tool Box, 18 x 17 3/8 x 18 Smooth Single Door S Series	24	3570	Tool Box, 18 x 17 3/8 x 18 Dia. Plate Single Door S Series	28
3575	Tool Box, 18 x 17 3/8 x 24 Smooth Single Door S Series	36	3572	Tool Box, 18 x 17 3/8 x 24 Dia. Plate Single Door S Series	37
3577	Tool Box, 18 x 17 3/8 x 30 Smooth Single Door S Series	42	3574	Tool Box, 18 x 17 3/8 x 30 Dia. Plate Single Door S Series	43
3579	Tool Box, 18 x 17 3/8 x 36 Smooth Single Door S Series	48	3576	Tool Box, 18 x 17 3/8 x 36 Dia. Plate Single Door S Series	49
3581	Tool Box, 18 x 17 3/8 x 36 Smooth Double Door S Series	49	3578	Tool Box, 18 x 17 3/8 x 36 Dia. Plate Double Door S Series	50
3583	Tool Box, 18 x 17 3/8 x 48 Smooth Single Door S Series	60	3582	Tool Box, 18 x 17 3/8 x 48 Dia. Plate Single Door S Series	61
3585	Tool Box, 18 x 17 3/8 x 48 Smooth Double Door S Series	61	3584	Tool Box, 18 x 17 3/8 x 48 Dia. Plate Double Door S Series	62
3587	Tool Box, 18 x 17 3/8 x 60 Smooth Single Door S Series	69	3588	Tool Box, 18 x 17 3/8 x 60 Dia. Plate Single Door S Series	70
3589	Tool Box, 18 x 17 3/8 x 60 Smooth Double Door S Series	70	3586	Tool Box, 18 x 17 3/8 x 60 Dia. Plate Double Door S Series	71
3613	Tool Box, 18 x 23 3/8 x 48 Smooth Double Door S Series	66	3608	Tool Box, 18 x 23 3/8 x 48 Dia. Plate Single Door S Series	67
3609	Tool Box, 18 x 17 3/8 x 48 Smooth Single Door S Series	67	3612	Tool Box, 18 x 17 3/8 x 48 Dia. Plate Double Door S Series	68
3615	Tool Box, 18 x 17 3/8 x 60 Smooth Single Door S Series	87	3614	Tool Box, 18 x 17 3/8 x 60 Dia. Plate Single Door S Series	88
3617	Tool Box, 18 x 17 3/8 x 60 Smooth Double Door S Series	88	3616	Tool Box, 18 x 17 3/8 x 60 Dia. Plate Double Door S Series	89
3593	Tool Box, 24 x 23 3/8 x 24 Smooth Single Door S Series	47	3590	Tool Box, 24 x 23 3/8 x 24 Dia. Plate Single Door S Series	48
3595	Tool Box, 24 x 23 3/8 x 30 Smooth Single Door S Series	56	3592	Tool Box, 24 x 23 3/8 x 30 Dia. Plate Single Door S Series	57
3597	Tool Box, 24 x 23 3/8 x 36 Smooth Single Door S Series	64	3594	Tool Box, 24 x 23 3/8 x 36 Dia. Plate Single Door S Series	65
3599	Tool Box, 24 x 23 3/8 x 36 Smooth Double Door S Series	61	3596	Tool Box, 24 x 23 3/8 x 36 Dia. Plate Double Door S Series	61
3601	Tool Box, 24 x 23 3/8 x 48 Smooth Single Door S Series	77	3600	Tool Box, 24 x 23 3/8 x 48 Dia. Plate Single Door S Series	78
3603	Tool Box, 24 x 23 3/8 x 48 Smooth Double Door S Series	79	3602	Tool Box, 24 x 23 3/8 x 48 Dia. Plate Double Door S Series	80
3607	Tool Box, 24 x 23 3/8 x 60 Smooth Double Door S Series	105	3604	Tool Box, 24 x 23 3/8 x 60 Dia. Plate Single Door S Series	106
3605	Tool Box, 24 x 23 3/8 x 60 Smooth Single Door S Series	107	3606	Tool Box, 24 x 23 3/8 x 60 Dia. Plate Double Door S Series	108

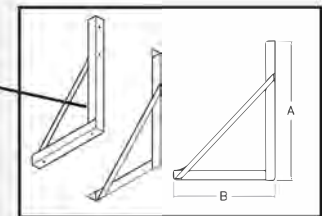


### OPTION

Order #	Description/Dimensions	Weight
3546	KIT,GAS SHOCK AND MOUNT FOR S-SERIES AND STD TOOL BOXES	6 Lbs.

- ▲ Automotive grade door seals, secures the entire perimeter, for a more water resistant seal
- ▲ UHMW Plastic used on striker plate for longer latch assembly life and easier operation
- ▲ Merritt's extruded door frame provides a weather resistant seal.
- ▲ Lap joint weld provides material overlap in the corner where it is needed for superior strength and longer life (compared to most boxes that are constructed with butt welds).

▲ Vertical angle is high strength alloy and 1/4" thick



### ZINC PLATED STEEL MOUNTING BRACKETS

Order #		A	B	Weight
117	For 18" Deep Tool Box	23-13/16"	16"	18
118	For 24" Deep Tool Box	29-13/16"	22"	25
620	E-Z Mounting Kit for 18" tool boxes			24
621	E-Z Mounting Kit for 24" tool boxes			31

- ▲ Steel for strength and low cost, Zinc Plated for lasting good looks!
- ▲ Available for 18" or 24" deep Tool Boxes
- ▲ Lightweight design - 117 only 18 lbs, 118 only 25 lbs.

Models and/or Specifications Subject to Change Without Notice.

F.O.B. - Fort Lupton CO, Sacramento CA, Salt Lake City UT, Dallas TX, Houston TX, Kansas City MO, Minneapolis MN, Atlanta GA, Pittsburgh PA, Calgary AB (Canada), Toronto ON (Canada)

Copyright © 2017 Merritt Aluminum Products Company. All Rights Reserved.





FOR THE DEALER NEAREST YOU CALL: **1-800-525-0107**  
**www.merrittproducts.com**

**Builder of High Performance, High Quality Truck Products**

Follow us on Facebook!!

- ▲ Mount underbody, on top of the deck, side by side – the door will open.
- ▲ Constructed of high strength/low weight aluminum.
- ▲ 42 Standard base models
- ▲ Polished stainless steel T- handle latches with locks.
- ▲ Doors available in smooth finish or diamond plate. All smooth doors are polished to a # 8 grade for an exceptional appearance.
- ▲ Bullet style hinge with 1/4" S/S center pin.
- ▲ Protective coating on smooth doors for improved shipping protection (to be removed at time of installation.)
- ▲ Stainless Steel doors are available by special order.
- ▲ Custom sizes and designs are available to meet specific needs.

# S-SERIES ALUMINUM BOXES



S-Series Diamond Plate Single Door



S-Series Smooth Double Door



S-Series Smooth Single Door



FOR THE DEALER NEAREST YOU CALL: **1-800-525-0107**

**[www.merrittproducts.com](http://www.merrittproducts.com)**

**Builder of High Performance, High Quality Truck Products**

Follow us on Facebook!! 

- ▲ Constructed of high durable/light weight aluminum.
- ▲ Protective coating on smooth doors for improved shipping protection (to be removed at time of installation.)
- ▲ Latch hardware is aluminum electro-polished for superior finish.

- ▲ Doors available in smooth finish or diamond plate.
- ▲ Piano style door hinge.
- ▲ Stainless Steel doors are available by special order.

- ▲ Door lanyard option available.
- ▲ Boxes are available in 18" and 24" heights.
- ▲ Custom depth and length are available to meet specific needs .

# ALUMINUM CAM LOCK BOXES



Aluminum Cam Lock Boxes

10A

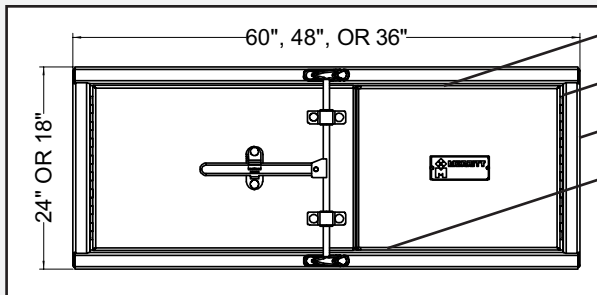
# CAM LOCK BOX

## ORDER INFORMATION

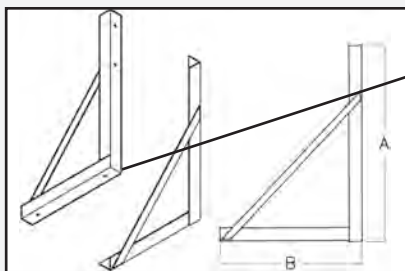
Order #	Description H x W x L	Weight Lbs.	Order #	Description H x W x L	Weight Lbs.
6500	Tool Box, 18x18x36 Sm Dbl Dr Camlock	49	6501	Tool Box, 18x18x36 Dp Dbl Dr Camlock	50
6502	Tool Box, 18x18x48 Sm Dbl Dr Camlock	61	6503	Tool Box, 18x18x48 Dp Dbl Dr Camlock	62
6504	Tool Box, 18x18x60 Sm Dbl Dr Camlock	70	6505	Tool Box, 18x18x60 Dp Dbl Dr Camlock	71
6506	Tool Box, 18x24x36 Sm Dbl Dr Camlock	54	6507	Tool Box, 18x24x36 Dp Dbl Dr Camlock	55
6508	Tool Box, 18x24x48 Sm Dbl Dr Camlock	67	6509	Tool Box, 18x24x48 Dp Dbl Dr Camlock	68
6510	Tool Box, 18x24x60 Sm Dbl Dr Camlock	88	6511	Tool Box, 18x24x60 Dp Dbl Dr Camlock	89
6512	Tool Box, 24x24x36 Sm Dbl Dr Camlock	61	6513	Tool Box, 24x24x36 Dp Dbl Dr Camlock	62
6514	Tool Box, 24x24x48 Sm Dbl Dr Camlock	79	6515	Tool Box, 24x24x48 Dp Dbl Dr Camlock	80
6516	Tool Box, 24x24x60 Sm Dbl Dr Camlock	107	6517	Tool Box, 24x24x60 Dp Dbl Dr Camlock	108

## OPTIONS

Order #	Description/Dimensions H x W x L	Weight Lbs.	Order #	Description/Dimensions H x W x L	Weight Lbs.
1518	18" Lanyard Kit, Tool Box	1	2436	Shelf, Bolt-In, for 24x36 Tool Box	15
1519	24" Lanyard Kit, Tool Box	11	2448	Shelf, Bolt-In, for 24x48 Tool Box	19
1836	Shelf, Bolt-In, for 18x36 Tool Box	12	2460	Shelf, Bolt-In, for 24x60 Tool Box	23
1848	Shelf, Bolt-In, for 18x48 Tool Box	16			
1860	Shelf, Bolt-In, for 18x60 Tool Box	23			



- ▲ Automotive grade door seals, secures the entire perimeter, for a more water resistant seal.
- ▲ Lap joint weld provides material overlap in the corner where it is needed for superior durability and longer life (compared to most boxes that are constructed with butt welds.)



- ▲ Vertical angle is high strength alloy and 1/4" thick. Light-weight design.

## MOUNTING BRACKETS

Order #		A	B	Weight
117	18" Deep Tool Box	23-13/16"	16"	18
118	24" Deep Tool Box	23-13/16"	22"	25
620	E-Z Mounting Kit for 18" tool boxes			24
621	E-Z Mounting Kit for 24" tool boxes			31

Models and/or Specifications Subject to Change Without Notice.

F.O.B. - Atlanta GA, Dallas TX, Henderson CO, Houston TX, Minneapolis MN, Pittsburgh PA, Sacramento CA, Kansas City KS, Calgary, AB (CA), Toronto, ON (CA)



# ALUMINUM STORAGE BOXES

## ORDER INFORMATION

### SMOOTH DOOR SADDLE BOXES\*

Order #	Description/Dimensions H x D x L	Weight Lbs.
450	22 x 21 x 12	27
452	23 1/2 x 28 1/2 x 12 with step	34
460	22 x 21 x 18	32
462	23 1/2 x 28 1/2 x 18 with step	42
470	22 x 21 x 24	43
472	23 1/2 x 28 1/2 x 24 with step	56
480*	22 x 21 x 36	56
482*	23 1/2 x 28 1/2 x 36 with step	76
478	22 x 21 x 30	50
488	23 1/2 x 28 1/2 x 30 with step	67

\*Model 117 or 118 Mounting Kit Required

### DIAMOND PLATE DOOR SADDLE BOXES\*

Order #	Description/Dimensions H x D x L	Weight Lbs.
451	22 x 21 x 12	27
453	23 1/2 x 28 1/2 x 12 with step	34
461	22 x 21 x 18	32
463	23 1/2 x 28 1/2 x 18 with step	43
471	22 x 21 x 24	44
473	23 1/2 x 28 1/2 x 24 with step	57
481*	22 x 21 x 36	57
483*	23 1/2 x 28 1/2 x 36 with step	77
477	22 x 21 x 30	52
487	23 1/2 x 28 1/2 x 30 with step	69

### BETWEEN-THE-FRAME TOOL BOX

Order #	Description/Dimensions W" x H" x L"	Weight Lbs.
253	Dia. Plate Door with Mounting Kit 22 x 9 x 24	36

### LOGGER BOX

Order #	Description/Dimensions H" x D" x L"	Weight Lbs.
229	Logger Box with Cross Frame Mount Kit 20 x 23 x 30	54

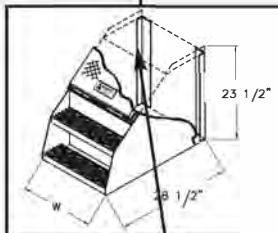
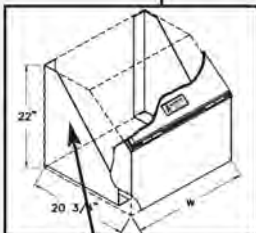
### CHAIN RACK KITS

Order #	Description/Dimensions H x W x L	Weight Lbs.
486 - 1	Saddle Box Chain Rack, 12"	1
486 - 2	Saddle Box Chain Rack, 18"	1
486 - 3	Saddle Box Chain Rack, 24"	1
486 - 4	Saddle Box Chain Rack, 36"	2

### SADDLE BOX DIVIDER

Order #	Description/Dimensions H x W x L	Weight Lbs.
485 - 1	Saddle Box Divider Set, 12"	2
485 - 2	Saddle Box Divider Set, 18"	2
485 - 3	Saddle Box Divider Set, 24"	2
485 - 4	Saddle Box Divider Set, 36"	2

**SADDLE BOXES** ▲ Extruded door frame with full perimeter automotive door seal for a water resistant closure ▲ Mounting Kit welded inside of all 12", 18", 24" and 30" Saddle Boxes. (Bolts Not Included) ▲ 36" Saddle box must be mounted using external brackets. (480 & 481 use 117, 482 & 483 use 118)



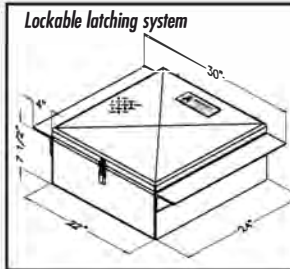
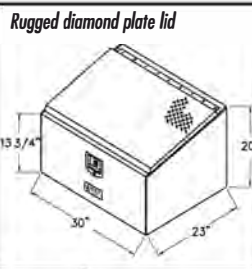
24", 30 and 36" saddle boxes are reinforced with side gussets to accommodate larger loads.

12" and 18" saddle boxes come standard with corner angles for a strong, secure mount.



Fixed Handle

Saddle Box Fold Away Handle



**BETWEEN THE FRAME TOOL BOX**  
Easy installation using clamps – no drilling of the frame.  
Mounting Kit Included

**LOGGER BOX** Easy cross frame mounting kit is included. Can be side-frame mounted using the #118 mounting kit

### SADDLE BOX FOLD AWAY HANDLE

Order #	Description	Shipping Wt.
3518	Folding Handle R/H	11 lbs
3519	Folding Handle L/H	11 lbs
3524	Fixed Handle R/H	5 lbs
3525	Fixed Handle L/H	5 lbs

(Attaches to any Merritt Saddle Box—3524 & 3525 can also attach to any Merritt frame steps)

Models and/or Specifications Subject to Change Without Notice.

F.O.B. - Fort Lupton CO, Sacramento CA, Salt Lake City UT, Dallas TX, Houston TX, Kansas City MO, Minneapolis MN, Atlanta GA, Pittsburgh PA, Calgary AB (Canada), Toronto ON (Canada)

Copyright © 2017 Merritt Aluminum Products Company. All Rights Reserved.





FOR THE DEALER NEAREST YOU CALL: **1-800-525-0107**  
**www.merrittproducts.com**

**Builder of High Performance, High Quality Truck Products**

Follow us on Facebook!!

- ▲ Utilize unused frame space and add additional storage areas.
- ▲ Heavy Duty designs on all storage boxes for a longer life.

- ▲ Aluminum for low weight, yet high strength.
- ▲ 18 Different models to make the most of your frame space.

- ▲ Saddle Boxes now available with optional internal chain rack or dividers.
- ▲ Saddle Boxes available with or without step options

# ALUMINUM STORAGE BOXES



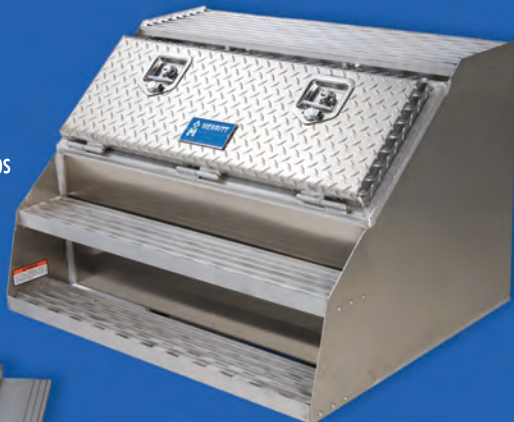
18" Saddle Box



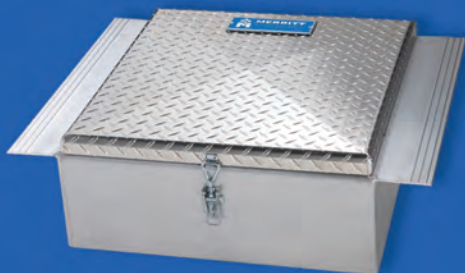
12" Saddle Box With Steps



Logger Box



36" Saddle Box With Steps



Between Frame Tool Box



Fold Away Handle

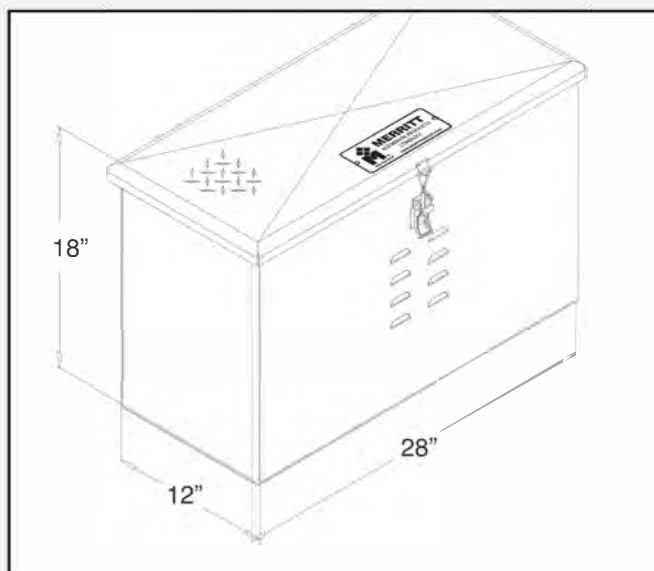
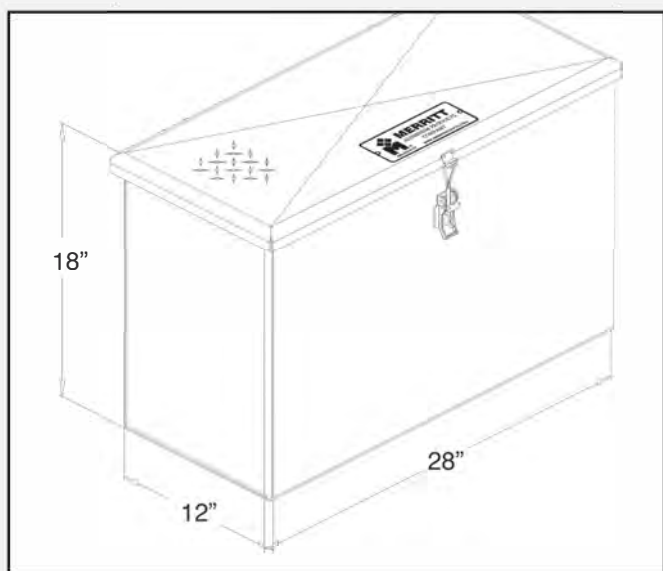
# DEF STORAGE BOXES

## ORDER INFORMATION

Order #	Description/Dimensions H x D x L	Shipping Wt. Lbs.
3630	DEF Box, Aluminum with Diamond Plate Door 18" x 28" x 12"	*34
3631	DEF Box, Aluminum with Diamond Plate Door 18" x 28" x 12" With Two Rows of Louvers on Front	*34

\* = UPS Shippable

- ▲ *Mounting Brackets are welded in each end, you can mount the box from either end*
- ▲ *Utilizes an "Over Center" latch with padlock holes*
- ▲ *Ventilation Louvers can added for you needs*
- ▲ *The DEF Box will carry up to four one gallon DEF jugs or two 2.5 gallon DEF jugs*



**Models and/or Specifications Subject to Change Without Notice.**

F.O.B. - Fort Lupton CO, Sacramento CA, Salt Lake City UT, Dallas TX, Houston TX, Kansas City MO,  
Minneapolis MN, Atlanta GA, Pittsburgh PA, Calgary AB (Canada), Toronto ON (Canada)

Copyright © 2017 Merritt Aluminum Products Company. All Rights Reserved.

ALUMINUM PRODUCTS  
**MERRITT**  
 1-800-525-0107

3/2022

12B



FOR THE DEALER NEAREST YOU CALL: **1-800-525-0107**  
**www.merrittproducts.com**

**Builder of High Performance, High Quality Truck Products**

Follow us on Facebook!! 

- ▲ You can store four one gallon jugs or two 2.5 gallon jugs.
- ▲ Mounting Kit is welded inside and can be mounted from either end.
- ▲ Utilize unused frame space and add outside storage for your DEF Products.
- ▲ Heavy Duty designs on all DEF boxes for longer life.
- ▲ Utilizing Merritts "Bullet" hinge with 1/4" S/S pivot, for no trouble - long life.
- ▲ Aluminum for low weight, yet high strength.

# DEF STORAGE BOXES



DEF Box, Model #3630



DEF Box, Model #3631, With Louvers



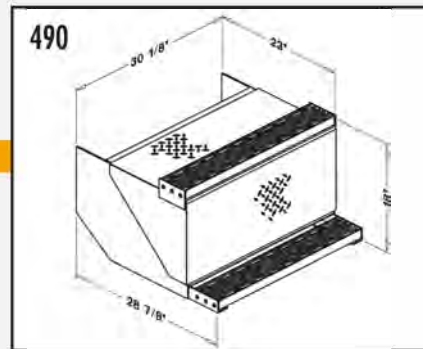
# CAB ACCESS BOXES

## ORDER INFORMATION

### SIDE STORAGE BOX

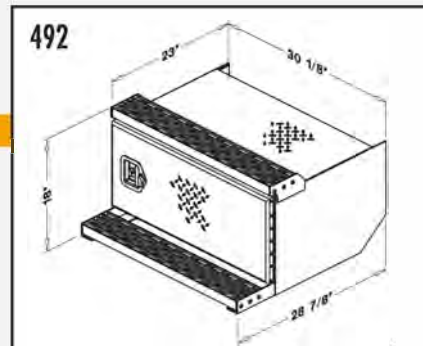
Order #	Description/Dimensions H x D x L	Shipping Wt. Lbs.
492	Storage Box 18 x 28 7/8 x 30 1/8 Complete with steps	60 lbs
493	Storage Box 15 3/4 x 23 x 30 1/8 Without steps	49 lbs
494	Storage Box 18 x 28 7/8 x 24 Complete with steps	57 lbs
495	Storage Box 16 1/4 x 23 x 24 Without steps, Driver Side	43 lbs
498	Storage Box 18 x 28 7/8 x 24 W/Steps	67 lbs

- ▲ High-grade aluminum alloy construction for low weight, yet high strength to deliver longer box life.
- ▲ Door opening is constructed using an extruded door frame for additional strength.
- ▲ Automotive door seal for a water resistant seal.
- ▲ Replaceable steps.
- ▲ With the optional #496 mounting brackets, you can install these boxes on most truck frames.



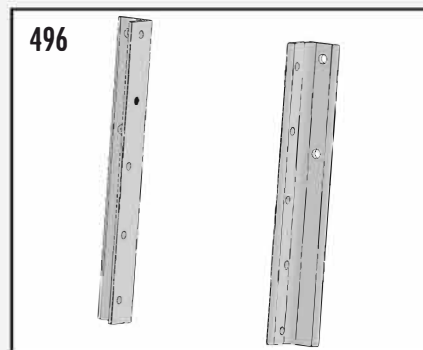
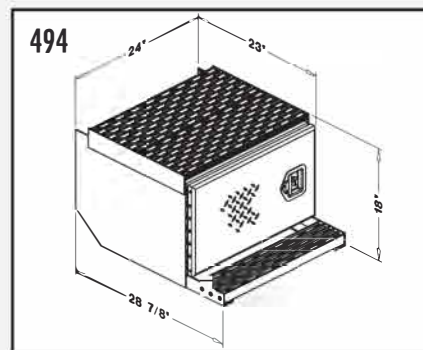
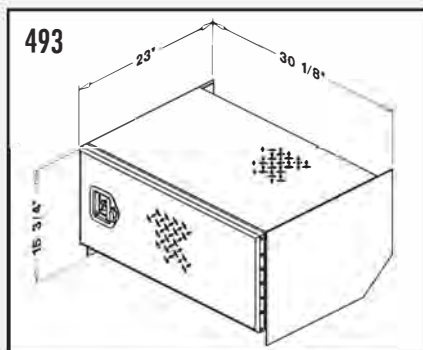
### BATTERY BOX

Order #	Description/Dimensions H x D x L	Shipping Wt. Lbs.
490	Battery Box 18 x 28 7/8 x 30 1/8 Complete with steps	51 lbs
491	Battery Box 16 1/4 x 23 x 30 1/8 Without steps	41 lbs



### OPTIONS

Order #	Description	Shipping Wt.
496	Mounting Angles	20 lbs
497	Battery Hold Down Kit	5 lbs



Models and/or Specifications Subject to Change Without Notice.

F.O.B. - Fort Lupton CO, Sacramento CA, Salt Lake City UT, Dallas TX, Houston TX, Kansas City MO, Minneapolis MN, Atlanta GA, Pittsburgh PA, Calgary AB (Canada), Toronto ON (Canada)

Copyright © 2017 Merritt Aluminum Products Company. All Rights Reserved.





FOR THE DEALER NEAREST YOU CALL: **1-800-525-0107**  
**www.merrittproducts.com**

**Builder of High Performance, High Quality Truck Products**

Follow us on Facebook!!

- ▲ 6 Models for more application choices.
- ▲ High-grade aluminum alloy for low weight & high strength, delivering longer box life.
- ▲ Extruded frame step for added strength and product life.

- ▲ Constructed with the same Merritt tool box features that have time proven designs for a longer product life, less life cycle cost.
- ▲ Extruded door frame & automotive door seal on the storage box give a more water resistant seal and added strength.

- ▲ Replaceable Steps on all step models.
- ▲ Bright Aluminum & Stainless Steel door and lid are available as a custom option.
- ▲ Mounting brackets available to mount on any truck with available space.

# CAB ACCESS BOXES



Passenger Side Storage Box

Side Battery Box

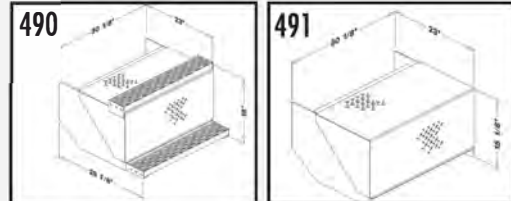
# BATTERY BOXES

## ORDER INFORMATION

### SIDE-PACK BOX

Order #	Description	H x W x L	Shipping Wt.
490	Side Battery Box With steps	18 x 28 7/8 x 30 1/8	51 lbs
491	Side Battery Box Without steps (see below for mounting and battery hold down kits)	16 1/4 x 23 x 30 1/8	41 lbs

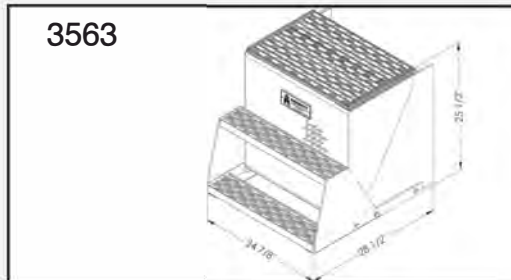
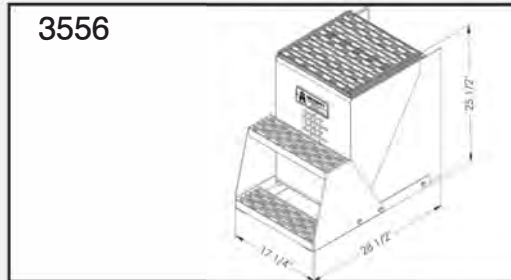
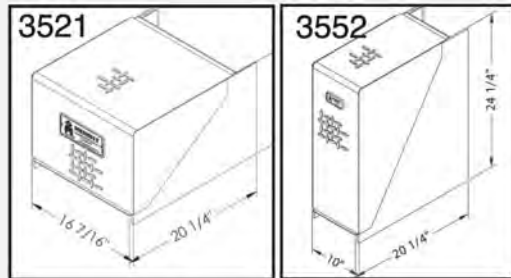
Battery boxes will hold two, four or six group 31 batteries.  
High-grade aluminum alloy construction for low weight, yet high strength to deliver longer box life.



### STACK-PACK BOX

Order #	Description	H x W x L	Shipping Wt.
3552	2 Battery Box, Vertical	24 x 20 x 10	50 lbs
3561	2 Battery Box, Vertical W/Step	25 x 28 x 10	54 lbs
3521	2 Battery Box, Horizontal	12 x 20 x 16	35 lbs
3562	2 Battery Box, Horizontal W/Step	13 x 15.5 x 16	41 lbs
3503	4 Battery Box	24 x 20 x 16	60 lbs
3504	4 Battery Box, W/Top Deck Plate	25 x 20 x 16	63 lbs
3556	4 Battery Box, W/Step	25 x 25 x 16	66 lbs
3514	6 Battery Box,	24 x 20 x 25	66 lbs
3563	6 Battery Box, W/Step	24 x 25 x 25	72 lbs

(see below for mounting and battery hold down kits)

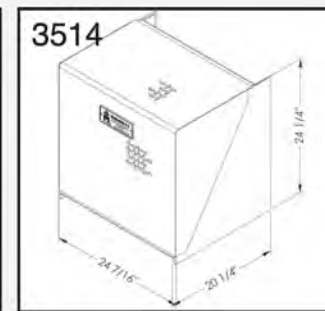
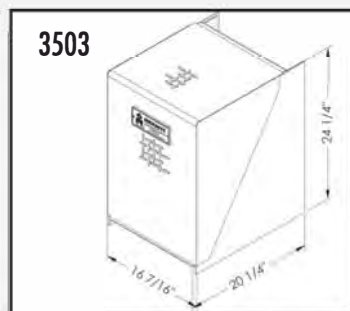
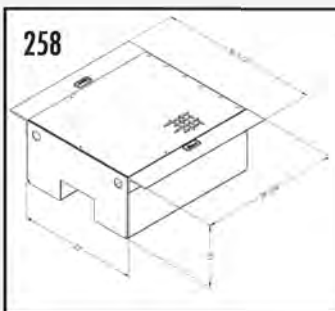


### FRAME-PACK BOX

Order #	Description	H x W x L	Shipping Wt.
258	4 Battery In-Frame Battery Box With Hinged Lid-Includes Mounting and Battery Hold Down Kits	12 x 23 x 27 3/4	60 lbs
259	2 Battery In-Frame Battery Box	12 x 23 x 13 1/3	28 lbs

### OPTIONS

3507	No-Drill Mounting Kit	28 lbs
496	Frame Drill Mounting Kit	21 lbs
497	Battery Hold Down Kit for 490, 491	5 lbs



Models and/or Specifications Subject to Change Without Notice.

FD B . - Fort Lupton CO, Sacramento CA, Salt Lake City UT, Dallas TX, Houston TX, Kansas City MO, Minneapolis MN, Atlanta GA, Pittsburgh PA, Calgary AB (Canada), Toronto ON (Canada)





FOR THE DEALER NEAREST YOU CALL: **1-800-525-0107**  
**www.merrittproducts.com**

**Builder of High Performance, High Quality Truck Products**

Follow us on Facebook!!

- ▲ Five styles to choose from, to aid in your installation process.
- ▲ Four side frame mounts and two in-frame mount.
- ▲ Made from a strong, yet light-weight Aluminum alloy, for long life and weight savings.

- ▲ Side frame units can mount using a frame drill bracket or a No-Drill kit that does not need to drill the frame. This allows for a savings in installation time.
- ▲ All models of battery boxes are stocked in various Merritt Warehouse locations.

- ▲ In-Frame box does not require any frame drilling to mount, saving installation time. Comes with mounting kit.
- ▲ All boxes come with or have an optional battery hold down kit. You do not need to spend time on how to mount the batteries.

# BATTERY BOXES

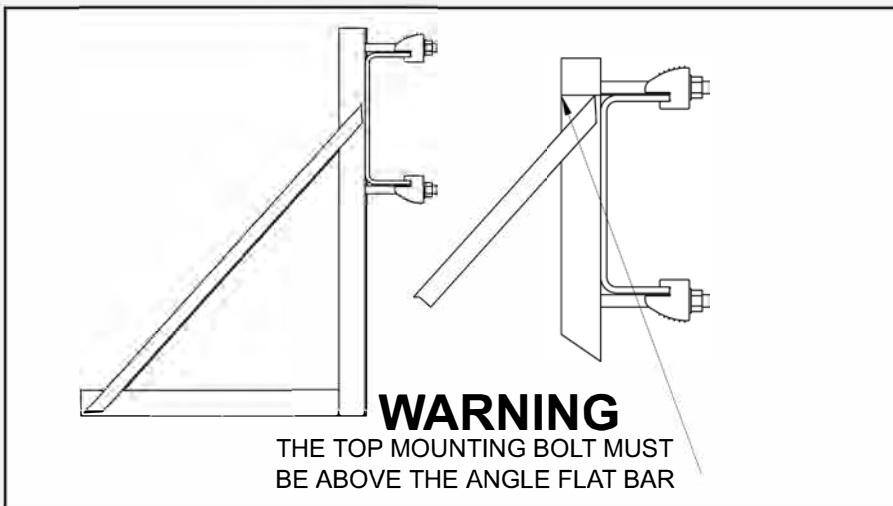
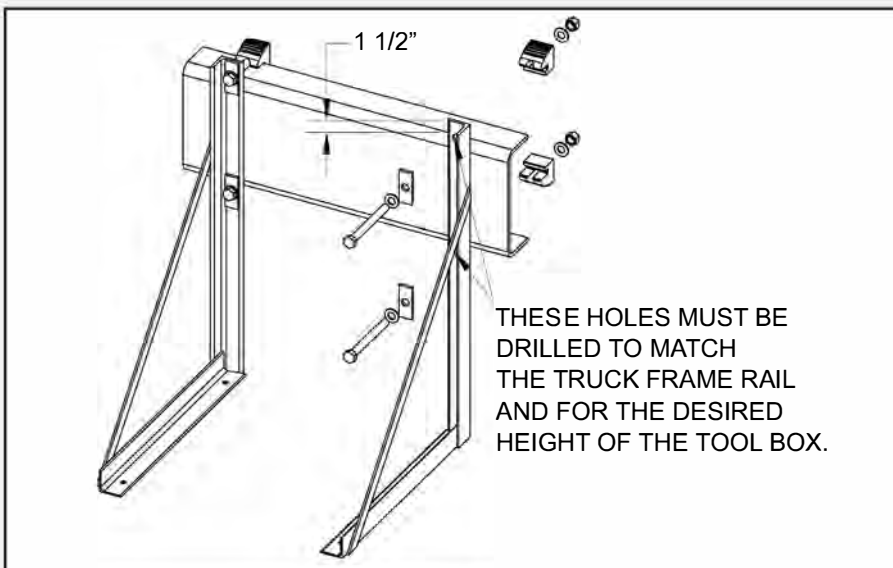


# E-Z TOOLBOX MOUNT

## ORDER INFORMATION

Order #	Description/Dimensions H x D x L	Shipping Wt. Lbs.
620	Mounting Kit for 18" tool boxes	24
621	Mounting Kit for 24" tool boxes	31

- ▲ Kit includes 1 right & 1 left "L" bracket and the E-Z Clamp.
- ▲ Kit also includes all hardware to mount the brackets to the frame.
- ▲ Kit does not include the hardware to mount the box to the bracket.
- ▲ Must be installed to Merritt specifications, see mounting instructions



**WARNING**  
IF THE FLANGE OF THE RAIL DEFORMS WHEN TIGHTENING THE BOLTS THE NO DRILL MOUNT CANNOT BE USED

**WARNING**  
DO NOT MISALIGN BOLTS  
BOLTS MUST BE PARALLEL TO THE FRAME RAIL FLANGE

▲ To be used on frames with a 7/16" flange thickness and smaller.

Models and/or Specifications Subject to Change Without Notice.

F.O.B. - Fort Lupton CO, Sacramento CA, Salt Lake City UT, Dallas TX, Houston TX, Kansas City MO, Minneapolis MN, Atlanta GA, Pittsburgh PA, Calgary AB (Canada), Toronto ON (Canada)





FOR THE DEALER NEAREST YOU CALL: **1-800-525-0107**  
**www.merrittproducts.com**

**Builder of High Performance, High Quality Truck Products**

Follow us on Facebook!!

- ▲ New system requires no drilling of the frame to mount.
- ▲ Strong, durable, easy to install.
- ▲ A quick and simple solution to drilling the frame.
- ▲ Easy to move from truck to truck.

- ▲ Fits all Merritt side mount Toolboxes.
- ▲ All steel parts are Zinc plated for longer life cycle.
- ▲ Load rating equal to the Merritt box rating being mounted.

- ▲ For those who do not wish to drill their frame
- ▲ Normal hand tools used for installation
- ▲ Stocked in most Merritt warehouse locations.

# E-Z TOOLBOX MOUNT



Model # 620 for 18" deep boxes  
Model # 621 for 21" deep boxes



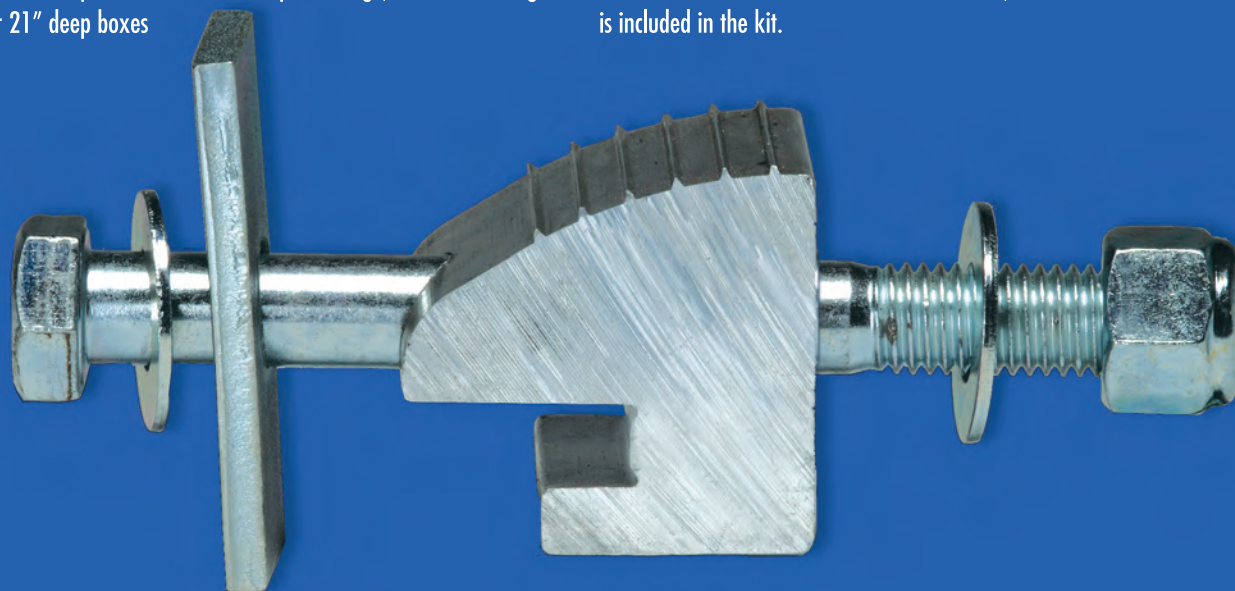
Clamps to flange, no frame drilling!



All hardware for the installation is included in the kit.



Secure, FAST to install and looks good.



The No Frame Drilling System

15A

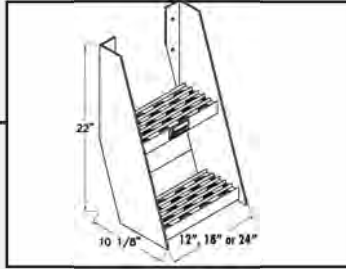
# ALUMINUM STORAGE BOXES & ACCESSORIES

## FRAME STEPS

Order #	Description/Dimensions	Weight
182	Frame Step 12" wide	9
362	Frame Step 18" wide	12
3000	Frame Step 24" wide	15

### FRAME STEP

- ▲ Lower Step "foot stop - no shin bruises".
- ▲ Sturdy bolt on design - light but strong.
- ▲ Bright Aluminum throughout.

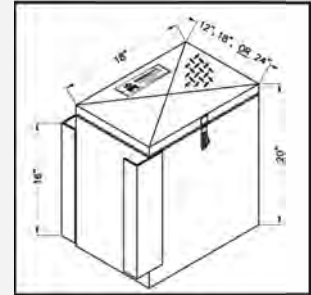


## FAIRING BOX

Order #	Description/Dimensions H x D x L	Weight Lbs.
254	20" X 18" X 12"	32
255	20" X 18" X 18"	37
256	20" X 18" X 24"	43

### FAIRING BOX

- ▲ Designed to fit between side fairing panel & truck frame
- ▲ Unique mounting kit allows for easy installation without removing side fairings
- ▲ Extruded door frame with automotive door seal for a water resistant closure

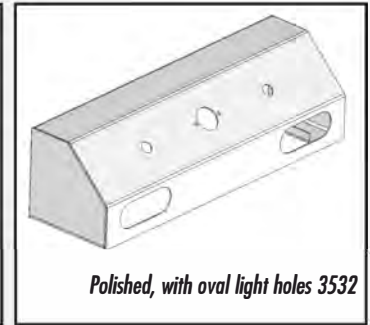
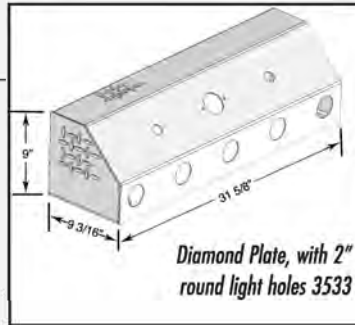


Mounting bolts not included

## CONNECTION BOX

### CROSS FRAME OR DYNA-DECK MOUNT

Order #	Description	Shipping Wt.
3529	Connection Box Polished Aluminum	18 lbs
3530	Connection Box Bright Tread	18 lbs
3531	Polished, with 5 (2") round light holes	18 lbs
3532	Polished, with 2 oval light holes	18 lbs
3533	Diamond plate, 5 (2") round light holes	18 lbs
3534	Diamond plate with 2 oval light holes	18 lbs



Includes Mounting Hardware / \*Deck Cover Not Included \*Add to 432, 433, 434 or 435 Deck Covers

## PETERBILT® STYLE TANK STEP FOR PETE MODEL 379

Order #	Description	Shipping Wt.
3526	Tank Step 23" Radius x 33.5" Long	18 lbs
3527	Tank Step 26" Radius x 33.5" Long	18 lbs
3528	Tank Step 23" Radius x 35.5" Long	19 lbs
3520	Tank Step 26" Radius x 35.5" Long	19 lbs

\* For Other Widths, Please provide Diameter and Step Width



Models and/or Specifications Subject to Change Without Notice.

F.O.B. - Fort Lupton CO, Sacramento CA, Salt Lake City UT, Dallas TX, Houston TX, Kansas City MO, Minneapolis MN, Atlanta GA, Pittsburgh PA, Calgary AB (Canada), Toronto ON (Canada)





FOR THE DEALER NEAREST YOU CALL: **1-800-525-0107**  
**www.merrittproducts.com**

**Builder of High Performance, High Quality Truck Products**

Follow us on Facebook!!

▲ **Frame Step**  
Strong extruded aluminum non-slip tread 12" and 24" models.

▲ **Pete Style Steps**, fits the Peterbilt 379 tanks (33.5" and 35.5" widths are standard for the 23" and 26" diameter tanks.)

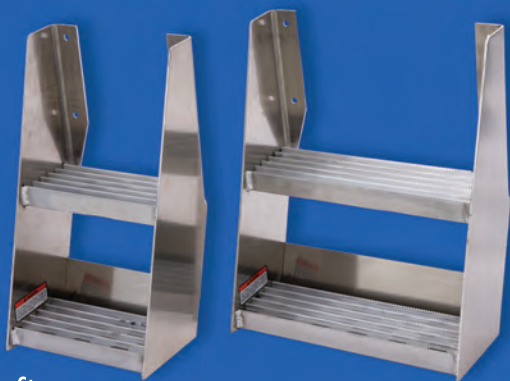
▲ **Fairing Box**  
Designed to fit between side fairing panel & truck frame

▲ **Connection Box** – Polished finish or Diamond Plate Aluminum, with or without light holes

▲ **Cross frame mount** or can be mounted in the Merritt Dyna-Deck top mount, for a "custom" look.

▲ The Connection Box fits directly into the Dyna-Deck cover, if desired.

# ALUMINUM STORAGE BOXES & ACCESSORIES



Frame Steps

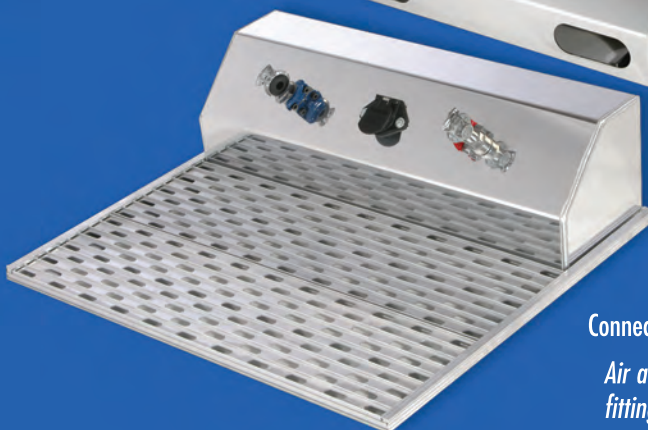


Fairing Box



© Peterbilt Tank Steps

Two Models with Light Holes



Connection Box

*Air and electric fittings not included*



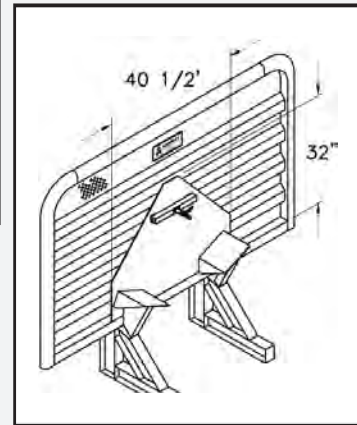
# ALUMINUM TIRE CHAIN CARRIERS

## TIRE CHAIN CARRIER - FRAME MOUNT

Order #	Description/Dimensions	Weight
233	24" Chain Carrier, w/lid, 300 lbs capacity	25
384	18" Chain Carrier, w/lid, 300 lbs capacity	22
119	"No Drill" Mounting kit ( Fits 233 & 384 )	4
385	18" Chain Carrier, 18"w/removable lid	22
234	24" Chain Carrier, 24"w/removable lid	22
3840	18" Chain Carrier, No Lid	22
2330	24" Chain Carrier, No Lid	22
119	No Drill Kit	10

### TIRE CARRIER

- ▲ Strong, heavy duty design.
- ▲ Bright, smooth finish  
Aluminum through out strong, light weight, with bright finish for lasting good looks.

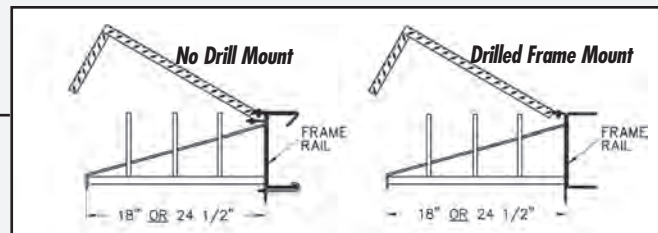


## TIRE CARRIER

Order #	Description/Dimensions	Weight
163	Tire Carrier, panel mount	25

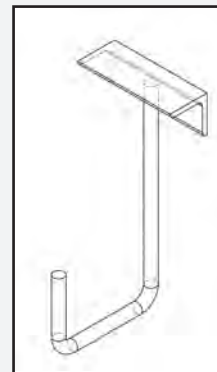
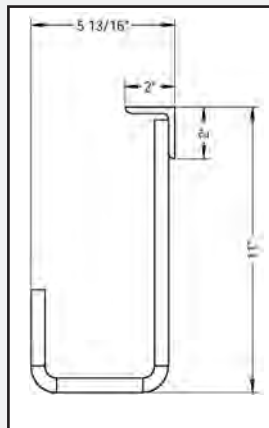
### TIRE CHAIN CARRIER

- ▲ Strong heavy duty design, body built of high strength, zinc plated steel.
- ▲ Sturdy frame mount design- light but strong. (Weighs only 25lbs. empty)
- ▲ Locking diamond plate aluminum cover- bright and strong.
- ▲ Removable lid option available upon request.
- ▲ Only 8" wide, space saving mount.

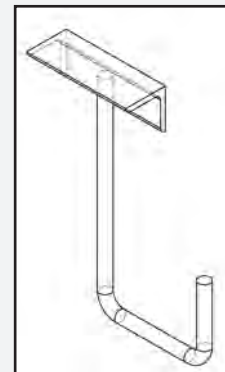


## EZ HOOK, TIRE CHAIN CARRIER

Order #	Description/Dimensions	Weight
3548	90 Degree hook	4
3548-2	90 Degree hook, 2 pack	8
3548-3	90 Degree hook, 3 pack	12
3548-4	90 Degree hook, 4 pack	16
3549	Flat hook	4
3549-2	Flat hook, 2 pack	8
3549-3	Flat hook, 3 pack	12
3549-4	Flat hook, 4 pack	16



Model 3548



Model 3549

Models and/or Specifications Subject to Change Without Notice.

F.O.B. - Fort Lupton CO, Sacramento CA, Salt Lake City UT, Dallas TX, Houston TX, Kansas City MO, Minneapolis MN, Atlanta GA, Pittsburgh PA, Calgary AB (Canada), Toronto ON (Canada)

Copyright © 2017 Merritt Aluminum Products Company. All Rights Reserved.





FOR THE DEALER NEAREST YOU CALL: **1-800-525-0107**  
**www.merrittproducts.com**

**Builder of High Performance, High Quality Truck Products**

Follow us on Facebook!!

- ▲ Tire Chain Carrier - Frame Mount Lockable lid for security.
- ▲ Strong design to store up to 300 lbs. of chains.
- ▲ 24" for open frames, 18" for frames with fairing packages.

- ▲ Tire Chain Carrier – models with lid, without lid and with pull out lid available.
- ▲ You Can Purchase as singles or boxed in groups of 2, 3 or 4.
- ▲ Bulk Pricing available on request.

- ▲ Tire Carrier Lockable panel mount.
- ▲ EZ Hook, Tire Chain Carrier - Two models of hook, one for bolting to the frame, use (2) 1/2" grade 5 or better bolts. The other model is for bolting to the trailer cross member.

# TIRE CHAIN CARRIERS



EZ Hook, Tire Chain Carrier

Models 3548, 3549



Models 233, 384

Tire Chain Carrier - Frame Mount



Models 2330, 3840

# ALUMINUM DECK COVERS

## ORDER INFORMATION

### DYNA-DECK\*

Order # TOP MOUNT	Description/Dimensions	Weight
432	18 1/2" Long x 33 1/4" Wide	12
433	28" Long x 33 1/4" Wide	17
434	37 1/2" Long x 33 1/4" Wide	23
435	46 3/4" Long x 33 1/4" Wide	28
436	56" Long x 33 1/4" Wide	34
437	65 1/4" Long x 33 1/4" Wide	40
438	74 1/2" Long x 33 1/4" Wide	46

### FLUSH MOUNT

442	18 1/2" Long x 30 1/4" Wide	12
443	28" Long x 30 1/4" Wide	17
444	37 1/2" Long x 30 1/4" Wide	23
445	46 3/4" Long x 30 1/4" Wide	29
446	56" Long x 30 1/4" Wide	35
447	65 1/4" Long x 30 1/4" Wide	41
448	74 1/2" Long x 30 1/4" Wide	47

### TOP MOUNT HARDWARE



"T-Bolt" Variable Anchor Points-Easy Assembly



Non-Skid Ribs



Slip Over Dress Cap

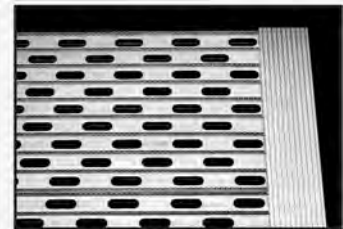
### FLUSH MOUNT HARDWARE



Variable "T-Bolt" Mounting Kit



Slide On Mounting Cap



Ready To Mount

- ▲ Expandable
- ▲ Self Draining
- ▲ Mounting Kit Included
- ▲ Strong-Positive Mounting
- ▲ Low Installation Time
- ▲ Non-Skid
- ▲ Light Weight
- ▲ Attractive
- ▲ Variable Mounting Points
- ▲ Dyna-Deck, meets D.O.T. Regulations for a walk area!

Models and/or Specifications Subject to Change Without Notice.

F.O.B. - Fort Lupton CO, Sacramento CA, Salt Lake City UT, Dallas TX, Houston TX, Kansas City MO, Minneapolis MN, Atlanta GA, Pittsburgh PA, Calgary AB (Canada), Toronto ON (Canada)





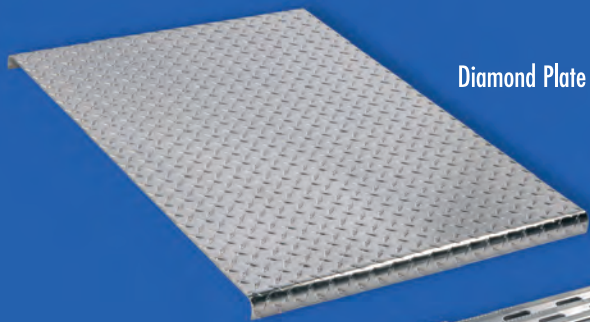
FOR THE DEALER NEAREST YOU CALL: **1-800-525-0107**  
**www.merrittproducts.com**

**Builder of High Performance, High Quality Truck Products**

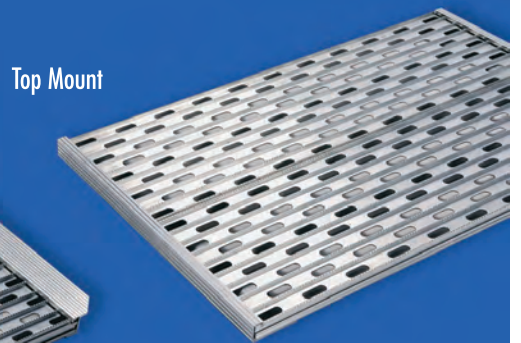
Follow us on Facebook!!

- ▲ "Dyna-Deck", modular deck cover available in top and flush mount.
- ▲ Easy slide together planks.
- ▲ Expandable to fit your needs.
- ▲ Self draining.
- ▲ Non-Skid ribbed deck surface.
- ▲ Easy to install, no drilling.
- ▲ Diamond plate available with or without stiffeners

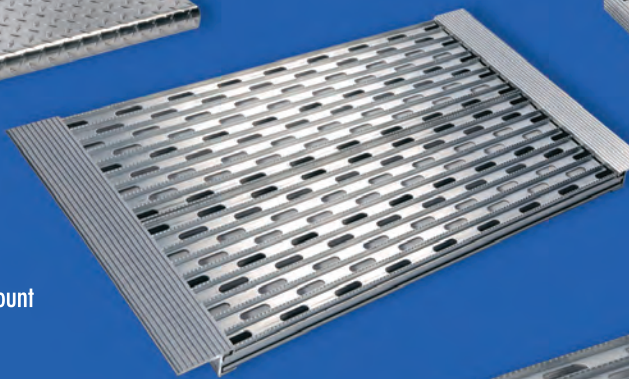
# ALUMINUM DECK COVERS



Diamond Plate



Top Mount



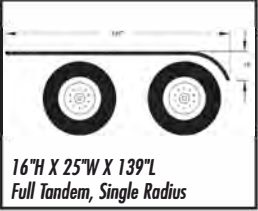
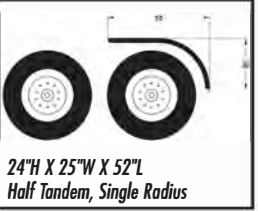

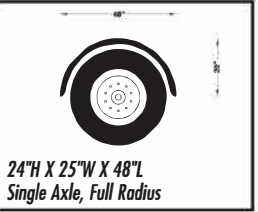
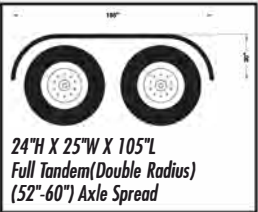

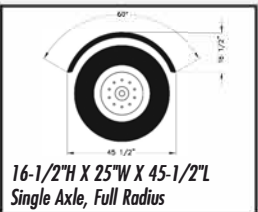
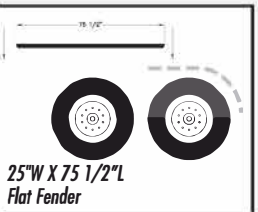
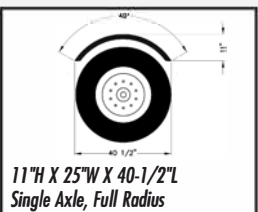
Flush Mount



Easy Slide Together Panels

# ROLLED FENDERS

## ORDER INFORMATION

	Order #	Description	Wt.		Order #	Description	Wt.
	5001	.090 Smooth Alum. W/ Ribs	35.4		5000	.090 Smooth Alum. W/Ribs	15.6
	5011	.090 Smooth Alum.	34.0		5010	.090 Smooth Alum.	15.1
	5021	.100 Diamond Plate Alum.	42.9		5020	.100 Diamond Plate Alum.	18.1
	5031	.125 Smooth Alum.	47.1		5030	.125 Smooth Alum.	21.0
	5541	14 Gauge "Bright" S. S.	67.4		5540	14 Gauge "Bright" S. S.	30.4
	5002	.090 Smooth Alum. W/Ribs	33.0		5004	.090 Smooth Alum. W/Ribs	18.3
	5012	.090 Smooth Alum.	31.9		5014	.090 Smooth Alum.	17.6
	5022	.100 Diamond Plate Alum.	38.3		5024	.100 Diamond Plate Alum.	22.0
	5032	.125 Smooth Alum.	44.2		5034	.125 Smooth Alum.	24.3
	5542	14 Gauge "Bright" S. S.	64.1		5544	14 Gauge "Bright" S. S.	34.8
	5003	.090 Smooth Alum. W/Ribs	32.2		5005	.090 Smooth Alum. w/ Ribs	9.2
	5013	.090 Smooth Alum.	30.9				
	5023	.100 Diamond Plate Alum.	38.9				
	5033	.125 Smooth Alum.	42.7				
	5543	14 Gauge "Bright" S. S.	61.2				
	5037	.090 Smooth Alum.	14.0		5025	.090 Smooth Alum. with Ribs	18
					5026	.090 Smooth Alum.	17.4
					5027	.100 Diamond Plate Alum.	20.9
					5028	.125 Smooth Alum.	24.1
					5549	14 Gauge "Bright" S. S.	34.9
	5035	.090 Smooth Alum.	11.1				
	5036	.125 Smooth Alum.	13.0				

**FENDERS SOLD AS SINGLE UNITS, ORDER TWO FOR A SET.** Fenders must be installed with Merritt brackets for warranty consideration.

**CAUTION** Fenders are not to be used as steps or load bearing surfaces. Note: Modifications of the fenders are at the discretion, responsibility, and risk of the installer.

**Models and/or Specifications Subject to Change Without Notice.**

F.O.B. - Fort Lupton CO, Sacramento CA, Salt Lake City UT, Dallas TX, Houston TX, Kansas City MO, Minneapolis MN, Atlanta GA, Pittsburgh PA, Calgary AB (Canada), Toronto ON (Canada)





FOR THE DEALER NEAREST YOU CALL: **1-800-525-0107**  
**www.merrittproducts.com**

**Builder of High Performance, High Quality Truck Products**

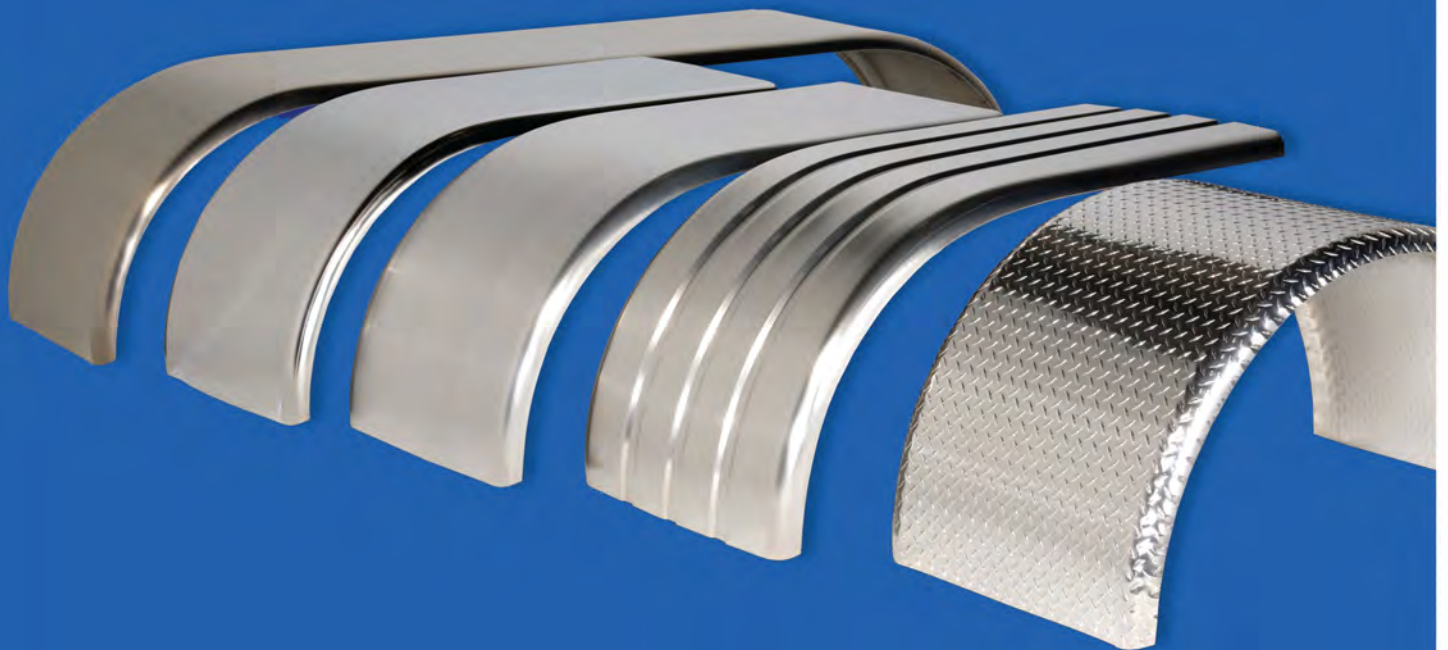
Follow us on Facebook!!

- ▲ Thirty-six models of fenders to fit most applications.
- ▲ Twelve different designs to cover your various needs.
- ▲ Stocked in most Merritt warehouse locations.

- ▲ Different styles and materials to choose from, allowing you to pick the "look" you want.
- ▲ Aluminum available in .090, .100DP or .125 thickness.
- ▲ 304 14ga stainless steel, #8 polish for strength and bright finish.

- ▲ Design a mounting style that will work for your truck.
- ▲ Custom lengths are available.
- ▲ Use the E-Z Mount Fender Bracket to install.

# ALUMINUM & STAINLESS FENDERS



Rolled Fenders

# DEEP DROP ROLLED FENDERS

## ORDER INFORMATION

### RADIUS WRAP AND DROP FENDERS

	Order #	Description	Wt.		Order #	Description	Wt.
	<b>FENDER, FULL TANDEM DBL RADIUS DROP</b> 30H X 25W X 105				<b>FENDER, HALF TANDEM SNGL RADIUS WRAP</b> 30H X 25W X 56 3/4		
	5212	.090 Smooth Alum.	34.0		5211	.090 Smooth Alum.	15.1
	5222	.100 Diamond Plate Alum.	42.9		5221	.100 Diamond Plate Alum.	18.1
	5232	.125 Smooth Alum.	47.1		5231	.125 Smooth Alum.	21.0
	<b>FENDER, FULL TANDEM DBL RADIUS WRAP</b> 30H X 25W X 105				<b>FENDER, SGNL AXLE RADIUS WRAP</b> 30H X 25W X 48		
	5213	.090 Smooth Alum.	31.9		5214	.090 Smooth Alum.	17.6
	5223	.100 Diamond Plate Alum.	38.3		5224	.100 Diamond Plate Alum.	22.0
	5233	.125 Smooth Alum.	44.2		5234	.125 Smooth Alum.	24.3
	<b>FENDER, HALF TANDEM SNGL RADIUS DROP</b> 30H X 25W X 52				5548 14 Gauge 304 S. S. 34.8		
	5547	14 Gauge 304 S. S.	64.1		5210	.090 Smooth Alum.	30.9
					5220	.100 Diamond Plate Alum.	38.9
					5230	.125 Smooth Alum.	42.7

**FENDERS SOLD AS SINGLE UNITS, ORDER TWO FOR A SET.** Fenders must be installed with Merritt brackets for warranty consideration.

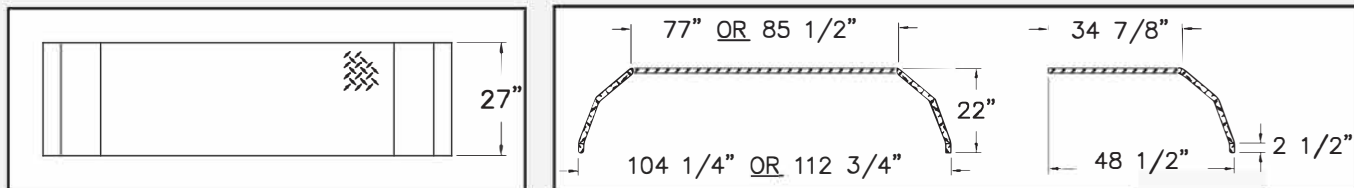
**CAUTION** Fenders are not to be used as steps or load bearing surfaces. Note: Modifications of the fenders are at the discretion, responsibility, and risk of the installer.

### SUPER DUTY FENDERS

Order #	Description	Wt.
179	Full Fender, Tandem Axle 52" to 60"	54
180	Full Fender, Tandem Axle 60" to 66"	59
177	Half Fender	25

*(fenders sold as single units, order two for a set)*

- ▲ Extra strong design, made of 1/8" thick, diamond plate aluminum alloy, designed with a double break and reinforcing gussets, allowing for added strength and longer life!
- ▲ Bright, diamond plate finish - keeps looking good, even in hard use!
- ▲ Half fenders have the same strong design and material specifications as the full fenders!



**Models and/or Specifications Subject to Change Without Notice.**

F.O.B. - Fort Lupton CO, Sacramento CA, Salt Lake City UT, Dallas TX, Houston TX, Kansas City MO, Minneapolis MN, Atlanta GA, Pittsburgh PA, Calgary AB (Canada), Toronto ON (Canada)

Copyright © 2017 Merritt Aluminum Products Company. All Rights Reserved.





FOR THE DEALER NEAREST YOU CALL: **1-800-525-0107**  
**www.merrittproducts.com**

**Builder of High Performance, High Quality Truck Products**

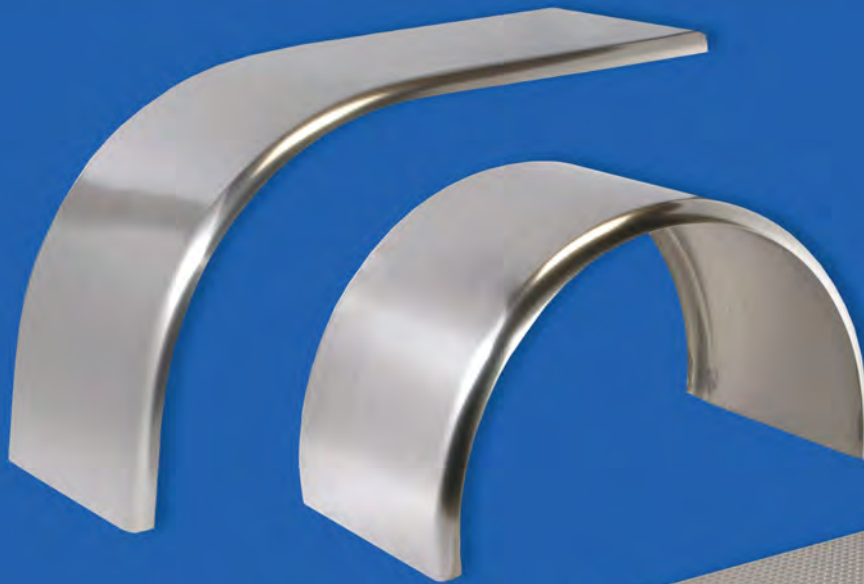
Follow us on Facebook!!

▲ Deep Fenders—New style fenders; Deep Drop Curved an addition 5" on the radius, which follows the tire radius. Deep Drop Straight with additional 5" added to the bottom of the radius—but continues straight down. Get that custom look at a standard price.

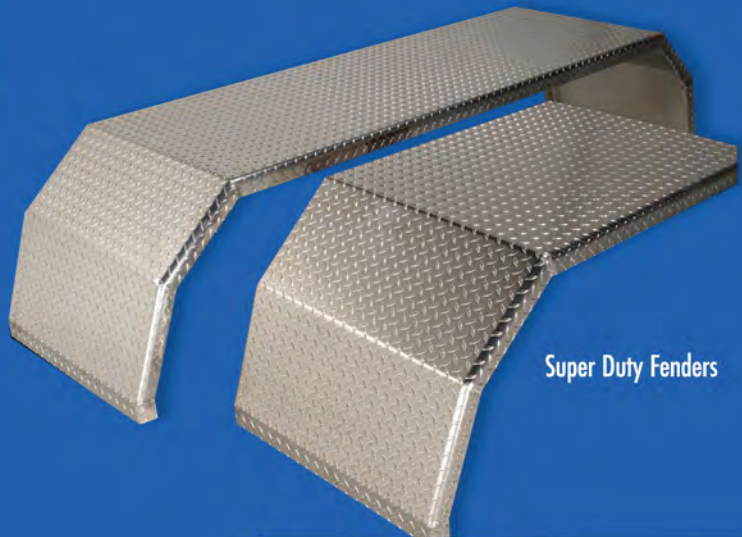
▲ Different styles and materials to choose from, allowing you to pick the "look" you want.  
▲ Aluminum available in .090, .100DP or .125 thickness.  
▲ 304 14ga stainless steel, #8 polish for strength and bright finish.

▲ Design a mounting style that will work for your truck.  
▲ Super Duty models available for those rough applications.  
▲ All Super Duty models are gusseted for added strength and long life.

# DEEP DROP, SUPER DUTY FENDERS



Deep Drop Fenders



Super Duty Fenders



# "Poly-Pro" POLYETHYLENE FENDERS

## ORDER INFORMATION

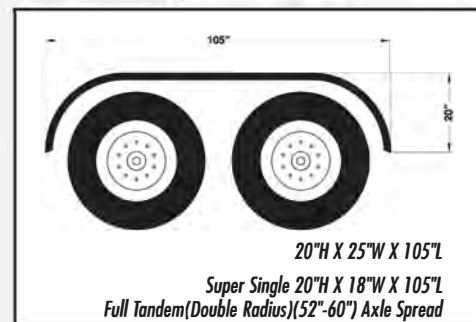
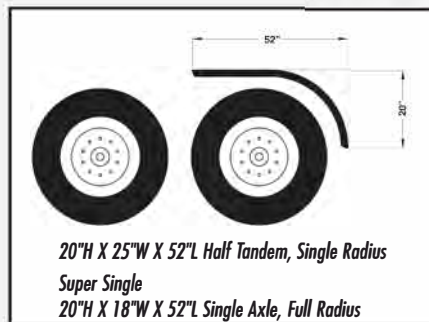
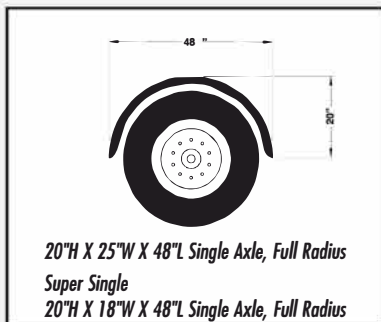
### POLYETHYLENE FENDERS

Order #	Description	Shipping Wt.
5344-2	Poly-Pro Single Axle, Full Radius High Density Polyethylene, Black Non-Paintable Set of Two Ribbed	20 lbs
5340-2	Poly-Pro Half Tandem Fender, Single Radius High Density Polyethylene, Black Non-Paintable Set of Two Ribbed	20 lbs
5343-2	Poly-Pro Full Tandem Fender, Double Radius High Density Polyethylene, Black Non-Paintable Set of Two Ribbed Consists of: 4-Half Fenders / 1-Nut & Bolt Package	45 lbs



### SUPER SINGLE POLYETHYLENE FENDERS

Order #	Description	Shipping Wt.
5345-2	Poly-Pro Single Axle, 18" wide Full Radius High Density Polyethylene, Black Non-Paintable Set of Two Ribbed	20 lbs
5346-2	Poly-Pro Half Tandem Fender, 18" wide Single Radius High Density Polyethylene, Black Non-Paintable Set of Two Ribbed	20 lbs
5347-2	Poly-Pro Full Tandem Fender, 18" wide Double Radius High Density Polyethylene, Black Non-Paintable Set of Two Ribbed Consists of: 4-Half Fenders / 1-Nut & Bolt Package	45 lbs



Models and/or Specifications Subject to Change Without Notice.

F.O.B. - Fort Lupton CO, Sacramento CA, Salt Lake City UT, Dallas TX, Houston TX, Kansas City MO, Minneapolis MN, Atlanta GA, Pittsburgh PA, Calgary AB (Canada), Toronto ON (Canada)

Copyright © 2017 Merritt Aluminum Products Company. All Rights Reserved.

ALUMINUM PRODUCTS  
**MERRITT**  
1-800-525-0107



FOR THE DEALER NEAREST YOU CALL: **1-800-525-0107**  
**www.merrittproducts.com**

**Builder of High Performance, High Quality Truck Products**

Follow us on Facebook!!

- ▲ Heavy Duty, HDPE-High Density Polyethylene Flexible, W/UV Protection
- ▲ Packaged as sets-two fenders per package
- ▲ Full Fender is bolted together in the middle

- ▲ Currently six models available:
  - Half, Single Radius/Super Single
  - Full, Double Radius/Super Single
  - Full Single Axel, Full Radius/SS
- ▲ Very flexible, low damage fender. Low cost - long life

- ▲ Stocked in our warehouse group for fast and economical delivery
- ▲ Use our market tested and easy to install "E-Z Mount" brackets to mount the Poly-Pro fender
- ▲ Standard Fender is 25" Wide Super Single Fender is 18" Wide

# "POLY-PRO" POLYETHYLENE / SUPER SINGLE FENDERS



Poly-Pro Single Axel, Full Radius Super Single

Poly-Pro Single Radius Super Single

Poly-Pro Full 105" Double Radius Super Single

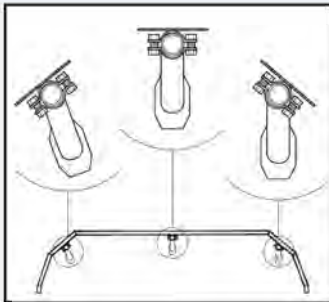
Poly-Pro Single Axel, Full Radius

Poly-Pro Single Radius

Poly-Pro Full 105" Double Radius

# E-Z MOUNT FENDER BRACKET ORDER INFORMATION

## ADJUSTABLE FENDER BRACKETS



All three E - Z fender brackets are adjustable in length from 27" to 30".

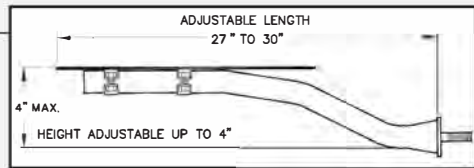
Stainless steel cap screw mounting plate bolts are included.

**Installation Notes:**

- ▲ Backing plate is designed to be used as a template to drill holes in fender.
- ▲ When installing the 3/8" x 2 1/4" bolts, it is recommended that the bolts are not over tightened, 10inch lbs. torque.
- ▲ It is necessary to bend TAB Lock-washers downward into the bolt to prevent unwinding.
- ▲ Torque 5/8" nuts to 150 ft/lbs.

**E - Z Fender Bracket - Black - 4" Model**

**Part #**

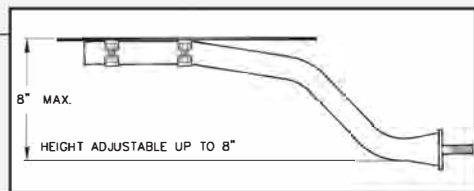


567

Weight: 12 lbs

**E - Z Fender Bracket - Black - 8" Model**

**Part #**

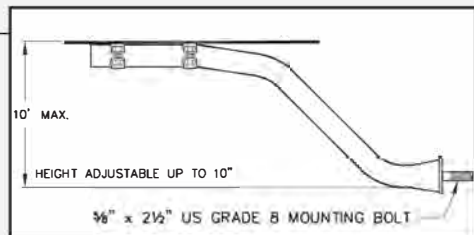


568

Weight: 12 lbs

**E - Z Fender Bracket - Black - 10" Model**

**Part #**



569

Weight: 12 lbs

## STRAIGHT FENDER BRACKETS

This is a Universal Bracket-designed to mount outside any fender.

**Features:**

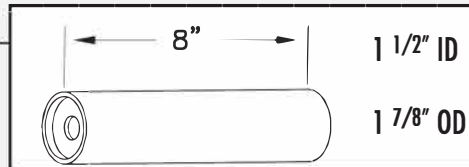
- ▲ Mounts solidly to frame with single grade 8 bolt
- ▲ 574 Mounts to the existing stub shaft or the 573 post, making those hard installations easier
- ▲ Bracket Mounts 1" off Fender so rocks and gravel can pass through

**Mounting Post - Zinc Plated**

**Part #**

573-2 Pair

Weight: 5 lbs

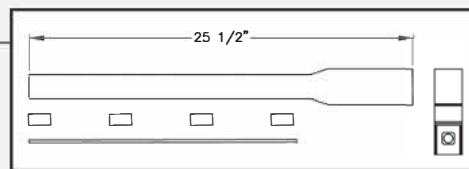


**Post Mount Bracket - Chrome**

**Part #**

574

Weight: 8 lbs



**Straight Bracket**

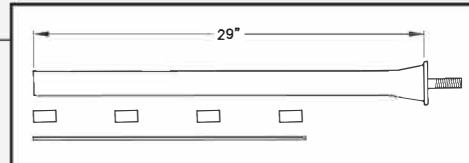
**Part #**

575 Black

Weight: 12 lbs

576 Chrome

Weight: 12 lbs

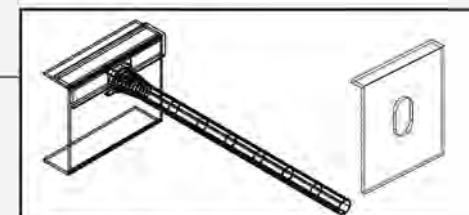


**Frame Spacer**

**Part #**

1560 Black

Weight: 1 lbs



- ▲ If your EZ-Mount bracket, mounted in the center and on the fifth wheel plate does not have full contact, the 1560 will allow a fix for this
- ▲ Just mount with the "leg" below (see the drawing) the fifth wheel plate and then mount the bracket through the plate making a 100% contact mount for the bracket.
- ▲ The 1560 package includes 2 plates, one for each side and instructions on how to use.

Models and/or Specifications Subject to Change Without Notice.

F.O.B. - Fort Lupton CO, Sacramento CA, Salt Lake City UT, Dallas TX, Houston TX, Kansas City MO, Minneapolis MN, Atlanta GA, Pittsburgh PA, Calgary AB (Canada), Toronto ON (Canada)

Copyright © 2017 Merritt Aluminum Products Company. All Rights Reserved.





FOR THE DEALER NEAREST YOU CALL: **1-800-525-0107**  
**www.merrittproducts.com**

**Builder of High Performance, High Quality Truck Products**

Follow us on Facebook!!

- ▲ 6 Models to choose from, allowing you to adapt a bracket to your application.
- ▲ 3 Adjustable models, giving you greater flexibility.
- ▲ All E-Z Fender Mount brackets have the time tested single mounting bolt. Very Quick- Very Easy!

- ▲ 3 Straight models available with rubber spacers, which provide 1" clearance between the fender and bracket, allowing dirt and gravel to pass through... makes cleaning easier.
- ▲ All hardware is supplied with each bracket for mounting.

- ▲ Fender to bracket mounting hardware is made from stainless steel.
- ▲ Mounting instructions included with each bracket for installation.
- ▲ Stocked in all Merritt warehouse locations.

# E-Z MOUNT FENDER BRACKET



Adjustable Easy Mount Bracket



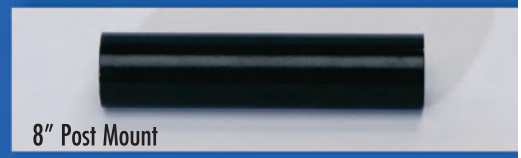
Straight E-Z Mount



Straight E-Z Mount



Post E-Z Mount Bracket



8" Post Mount

E-Z Mount

22A





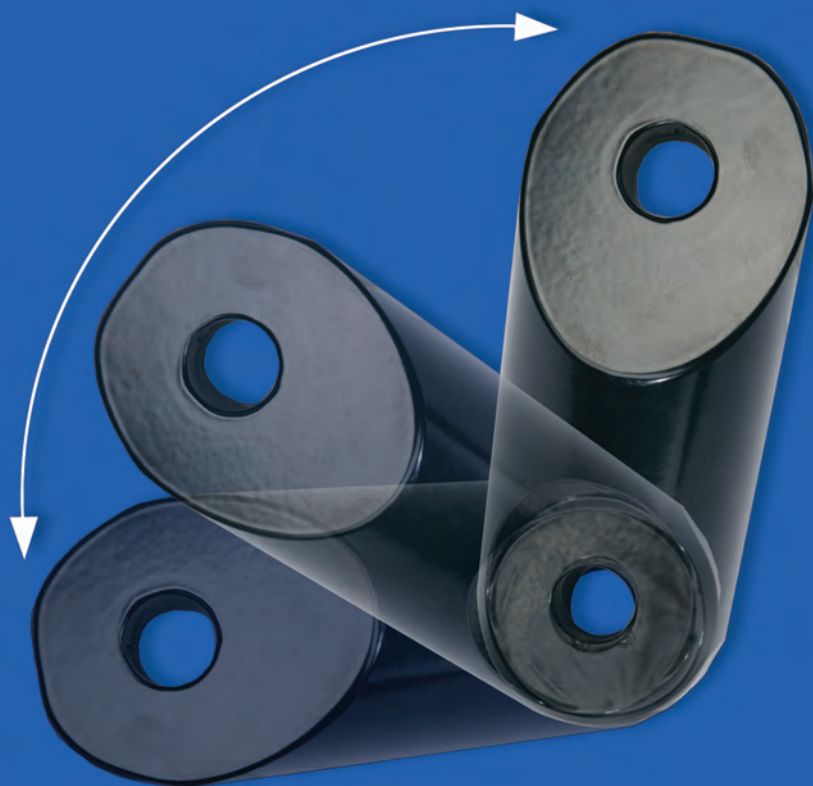
FOR THE DEALER NEAREST YOU CALL: **1-800-525-0107**  
**www.merrittproducts.com**

**Builder of High Performance, High Quality Truck Products**

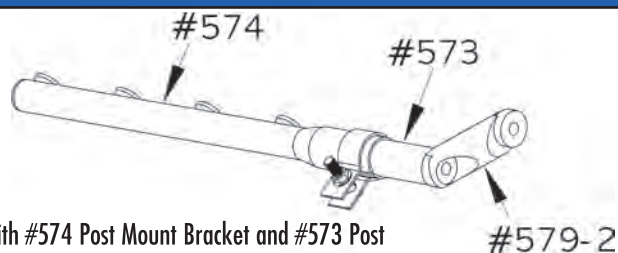
Follow us on Facebook!!

- ▲ Turn your 574 straight bracket into an adjustable mount, for those installations where nothing seems to work.
- ▲ Allows the installer to adjust the height of a straight bracket (like EZ Mount bracket).
- ▲ Delivers a full 3" sweep to allow you to find the best mounting position.
- ▲ Fits the new style air ride suspension systems. Bolts directly to the suspension hanger, eliminating hole drilling in the frame.
- ▲ Made from hardened billet steel for long life.
- ▲ Shipped in pairs, stocked in 12 Merritt warehouse locations.
- ▲ To be used with part numbers 574 Post Mount Bracket and 573 Post.

# E-Z FENDER MOUNTING SYSTEMS



Post Mount Bracket - Side View



#573 Shown with #574 Post Mount Bracket and #573 Post

Weight per unit 3 lbs  
 Shipping Weight 7 lbs  
 (Shipped as a set - 2 per box)

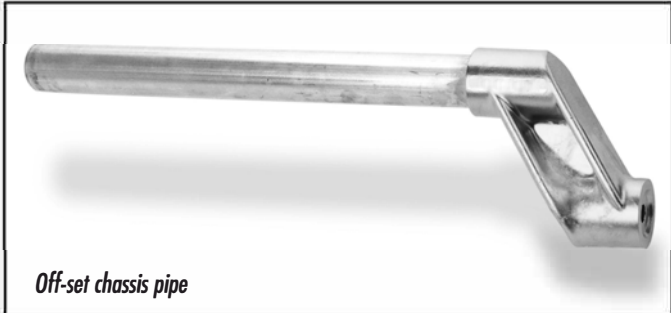
**3" Offset Adapter Part Number 579-2 23A**

# E-Z HD FENDER MT. BRACKET

## ORDER INFORMATION

### OFFSET PIPE FENDER BRACKETS

Offset Pipe Fender Bracket is designed to mount outside any fender.



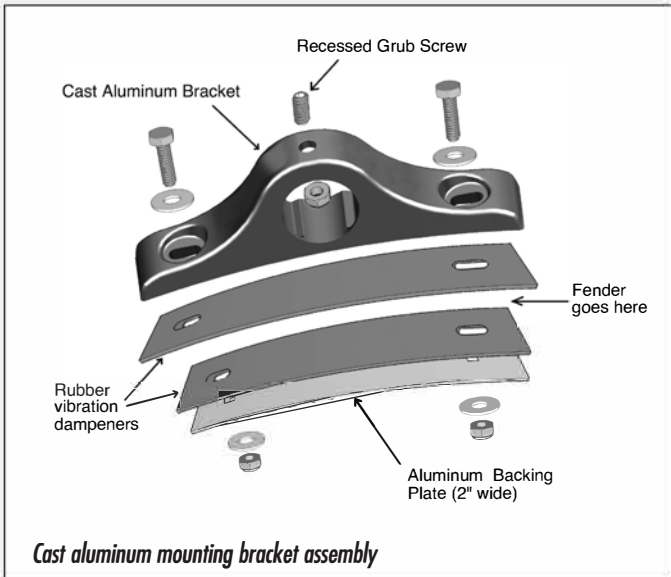
Off-set chassis pipe

**Features:**

Off-set chassis pipe mounts solidly to frame with single grade 8 bolt

**Installation Notes:**

- ▲ It is necessary to bend TAB Lock-washers downward into the bolt to prevent unwinding.
- ▲ Torque 5/8 Nyloc nuts to 150 ft/lbs.



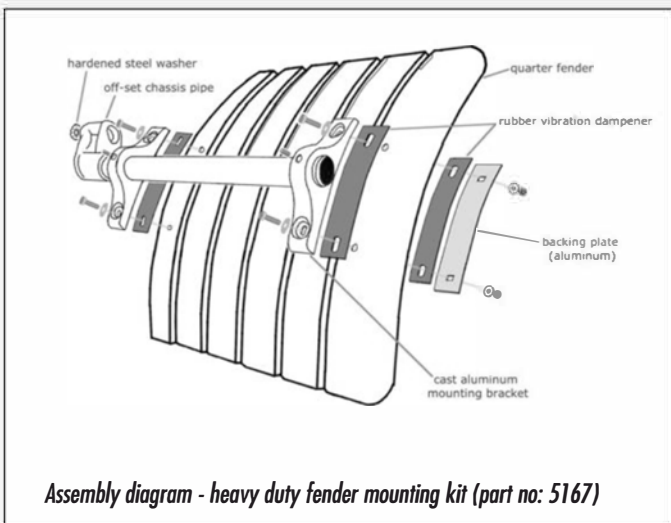
Cast aluminum mounting bracket assembly

**Features:**

Cast Aluminum Brackets mount to the fender as shown, secure the Grub Screw to the pipe shaft, making those hard installations a breeze.

**Installation Notes:**

- ▲ Mounting bracket backing plate can be used as a template to drill holes in fender.
- ▲ When installing the 3/8" x 2 1/4" bolts, it is recommended that the bolts are not over tightened, 10inch lbs. torque.
- ▲ Secure mounting bracket to chassis pipe/tube using "Grub Screw" and 3/8" conelok nut.



Assembly diagram - heavy duty fender mounting kit (part no: 5167)

### E-Z HD FENDER MOUNTING KITS

Order #	Description	Weight Lbs.
5167-2	Two mounting tubes, Four cast, curved fender brackets and mounting hardware	24
5168-2	Two mounting tubes, Four cast, straight fender brackets and mounting hardware	24

Models and/or Specifications Subject to Change Without Notice.

F.O.B. - Fort Lupton CO, Sacramento CA, Salt Lake City UT, Dallas TX, Houston TX, Kansas City MO, Minneapolis MN, Atlanta GA, Pittsburgh PA, Calgary AB (Canada), Toronto ON (Canada)

Copyright © 2017 Merritt Aluminum Products Company. All Rights Reserved.





FOR THE DEALER NEAREST YOU CALL: **1-800-525-0107**  
**www.merrittproducts.com**

**Builder of High Performance, High Quality Truck Products**

Follow us on Facebook!!

- ▲ 2 Models to choose from, allowing you to adapt a bracket to your application.
- ▲ Proven in one of the toughest environments in the world.
- ▲ Ideal for heavy-duty trucks, thriving in harsh environments.
- ▲ Normal hand tools used for installation

- ▲ Stocked in most Merritt warehouse locations.
- ▲ Each Heavy Duty Fender Mounting kit will mount two quarter fenders or one single axle fender. Can be used to mount a full fender using an E-Z Mount adjustable center bracket.
- ▲ Light, very strong and highly durable.

- ▲ Heavy duty truck fender mounting kits include:
  - 2 off-set tube mounts (steel tube and cast aluminum boss)*
  - 4 cast aluminum mounting brackets that securely fasten onto the tube and the fender.*

# E-Z HD FENDER MOUNTING KIT



E-Z HD Mounting Kit



# QUARTER FENDERS

## ORDER INFORMATION

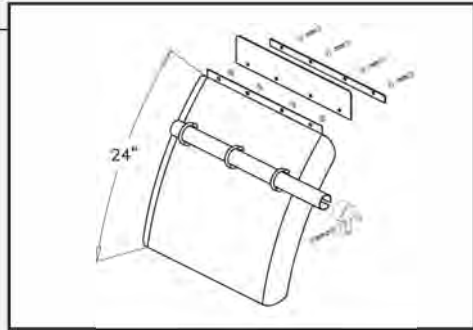
### 430 STAINLESS STEEL-ROUND TUBE MOUNT

**Part #**

5070-2

Weight: 33 lbs

Size: 24" X 24"



### 304 STAINLESS STEEL-ROUND TUBE MOUNT

**Part #**

5080-2

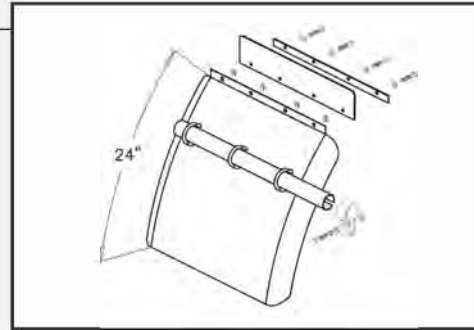
Weight: 33 lbs

Size: 24" X 24"

5081-2

Triangular Mount

Weight: 34 lbs



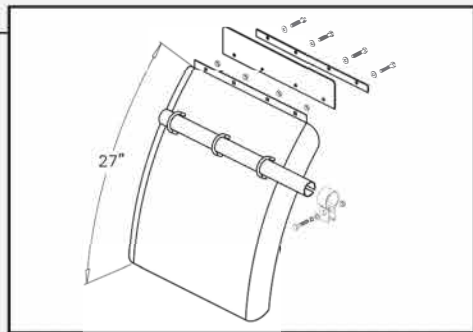
### 430 STAINLESS STEEL-ROUND TUBE MOUNT

**Part #**

5072-2

Weight: 34 lbs

Size: 24" X 27"



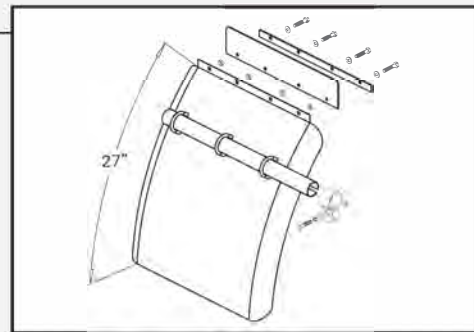
### 304 STAINLESS STEEL-ROUND TUBE MOUNT

**Part #**

5082-2

Weight: 34 lbs

Size: 24" X 27"



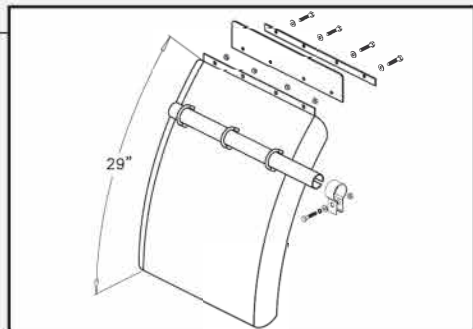
### 430 STAINLESS STEEL-ROUND TUBE MOUNT

**Part #**

5074-2

Weight: 35 lbs

Size: 24" X 29"



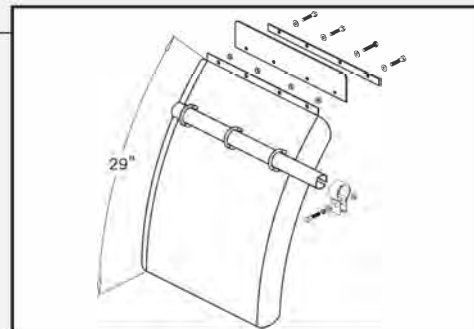
### 304 STAINLESS STEEL-ROUND TUBE MOUNT

**Part #**

5084-2

Weight: 33 lbs

Size: 24" X 29"



### BLACK POLY-ROUND TUBE MOUNT

**Part #**

5060-2

Weight: 34 lbs

Size: 24" X 24"

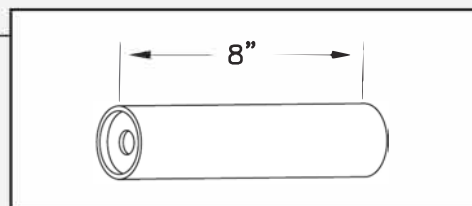


### Mounting Post - Zinc Plated

**Part #**

573-2 Pair

Weight: 5 lbs



**Models and/or Specifications Subject to Change Without Notice.**

F.O.B. - Fort Lupton CO, Sacramento CA, Salt Lake City UT, Dallas TX, Houston TX, Kansas City MO, Minneapolis MN, Atlanta GA, Pittsburgh PA, Calgary AB (Canada), Toronto ON (Canada)

Copyright © 2017 Merritt Aluminum Products Company. All Rights Reserved.





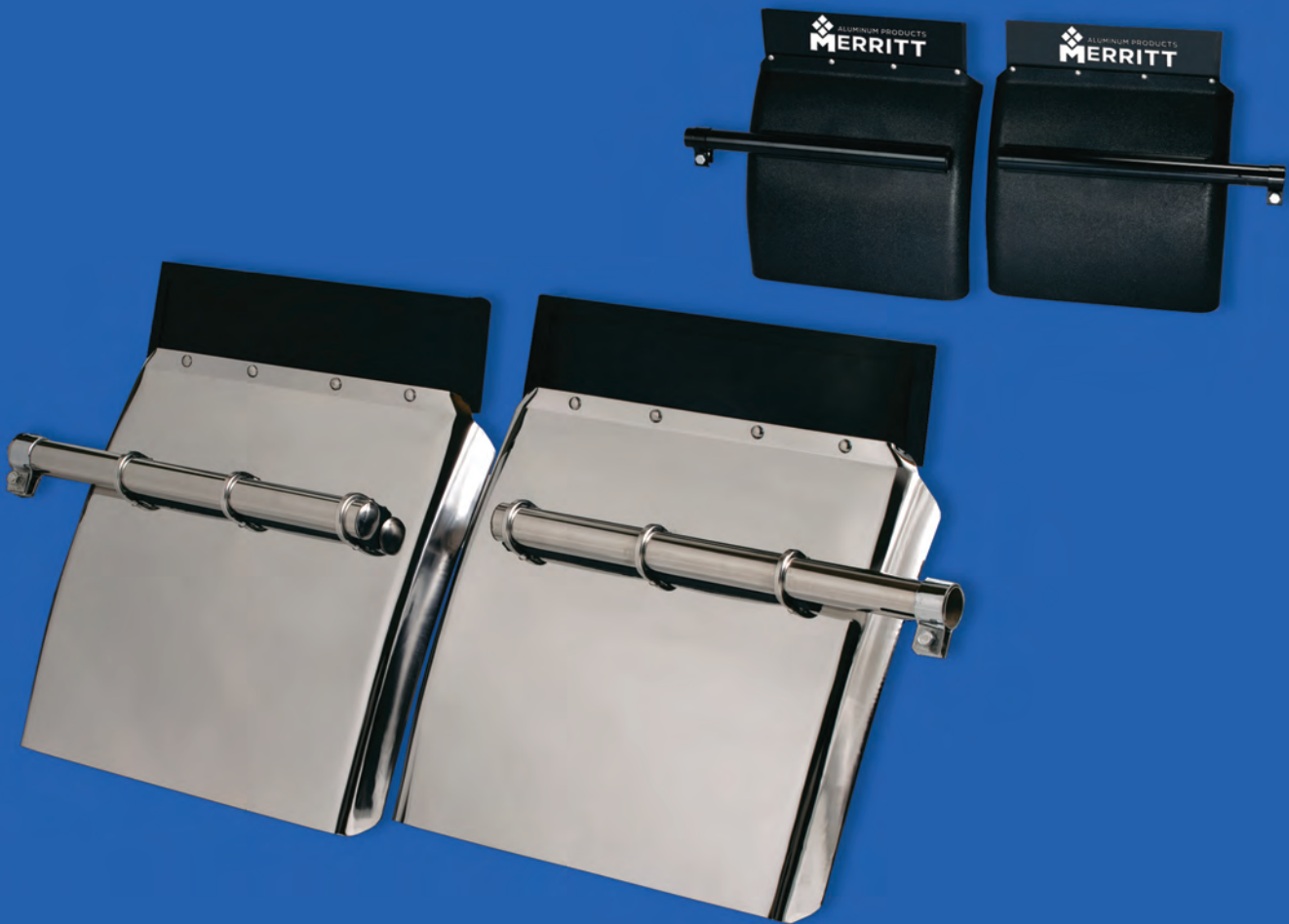
FOR THE DEALER NEAREST YOU CALL: **1-800-525-0107**  
**www.merrittproducts.com**

**Builder of High Performance, High Quality Truck Products**

Follow us on Facebook!!

- ▲ Two S/S alloys to choose from, 304 – a longer lasting alloy or 430 – a more affordable alloy.
- ▲ Both alloys are polished to a high degree of luster for a bright and good looking addition to your truck.
- ▲ Three sizes of fenders available in S/S; 24", 27" or 29", you can select the length you need.
- ▲ Quarter fender kits include;
  - 2 Quarter fenders
  - 2 Top flaps
  - 2 Mounting clamps
  - Nut and bolt package
- ▲ The black poly fender is made of thick, tough polymer for a long life.
- ▲ Quarter Fenders are stocked in our 13 warehouse locations, for quick delivery to you.
- ▲ Service and support that you expect from the Merritt family of products.

# QUARTER FENDERS s/s & POLY



Quarter Fenders

25A

# HOSE RACK

## ORDER INFORMATION

### HOSE RACK

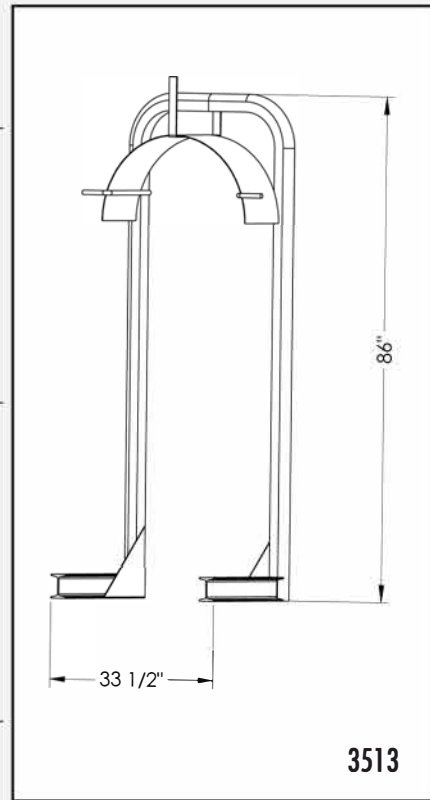
Order #	Description/Dimensions H x D x L	Shipping Wt. Lbs.
3513	Hose Rack 86 x 23 3/8 x 33 1/2	46 lbs
3683	Hose Rack 46 3/4 x 23 3/8 x 33 1/2	36 lbs

### OPTIONS

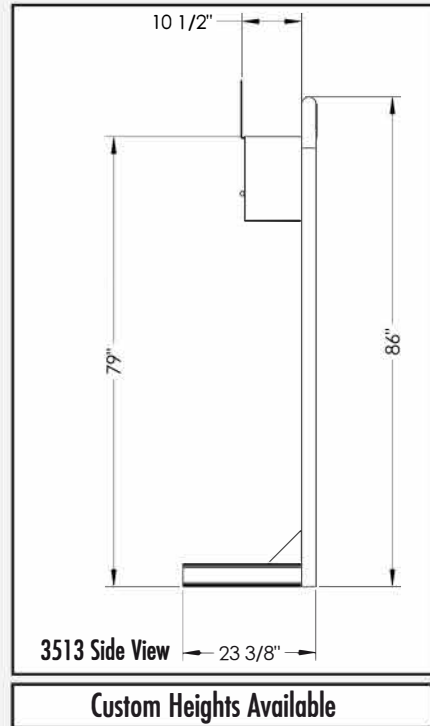
Order #	Description/Dimensions H x D x L	Shipping Wt. Lbs.
3511	Base Tray 2 3/4 x 22 5/8 x 30 1/4	10 lbs
3512	Fitting Box 13 1/2 x 8 5/8 x 33 3/8 (specify height above frame)	27 lbs

### MOUNTING KIT

Order #	Description	Shipping Wt.
3502	Mounting Kit	23 lbs



3512 Fitting Box



Models and/or Specifications Subject to Change Without Notice.

F.O.B. - Fort Lupton CO, Sacramento CA, Salt Lake City UT, Dallas TX, Houston TX, Kansas City MO, Minneapolis MN, Atlanta GA, Pittsburgh PA, Calgary AB (Canada), Toronto ON (Canada)





FOR THE DEALER NEAREST YOU CALL: **1-800-525-0107**  
**www.merrittproducts.com**

**Builder of High Performance, High Quality Truck Products**

Follow us on Facebook!!

- ▲ Constructed of light, but strong Aluminum; for long life, great looks and weight savings.
- ▲ Premium alloys used throughout, to make sure you receive the great Merritt product you expect.
- ▲ I beam construction for a robust product.
- ▲ Stocked in Merritt warehouses, for quick delivery. Contact your local dealer for order placement.
- ▲ Load tested to 1000lbs static load
- ▲ Options available to make the Rack even more productive.
- ▲ Heavy-duty mounting kit available. Easy to install, yet durable and strong. (must be installed to manufacturer directions).

# HOSE RACK



3513 Hose Rack (Pictured w/optional 3511 Base Tray)



3683 Short Hose Rack





FOR THE DEALER NEAREST YOU CALL: **1-800-525-0107**  
**www.merrittproducts.com**

**Builder of High Performance, High Quality Truck Products**

Follow us on Facebook!! 

- ▲ Constructed of light, but durable Aluminum; for long life, great looks and weight savings.
- ▲ Premium alloys used throughout, to make sure you receive the great Merritt product you expect.

- ▲ I beam construction for a robust product.
- ▲ Load tested to 1000lbs. static load.
- ▲ Options available to make the Rack even more productive.

- ▲ Heavy-duty mounting kit available. Easy to install, yet durable. (must be installed to manufacturer directions).

# HEAVY DUTY HOSE RACK



Unit pictured with Crossbar and Base Tray

Heavy Duty Hose Rack

27A



# HEAVY DUTY HOSE RACK

## ORDER INFORMATION

### HEAVY DUTY HOSE RACK

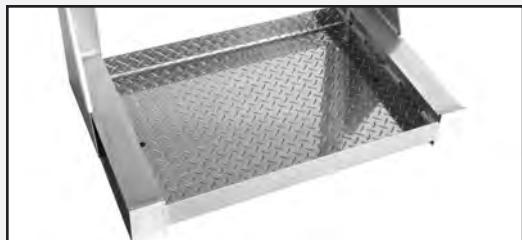
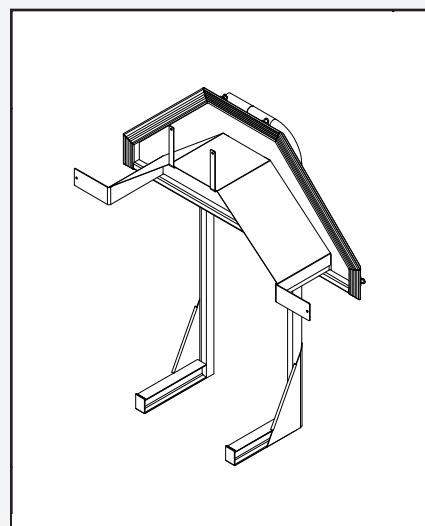
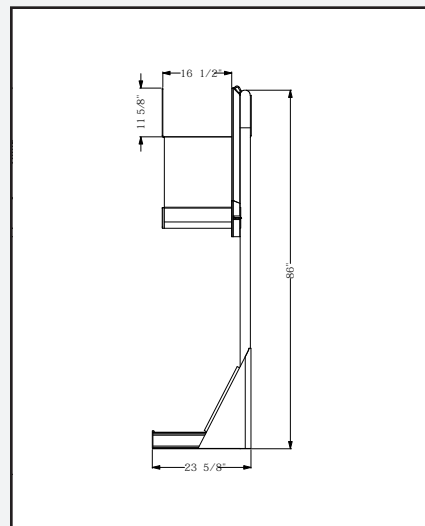
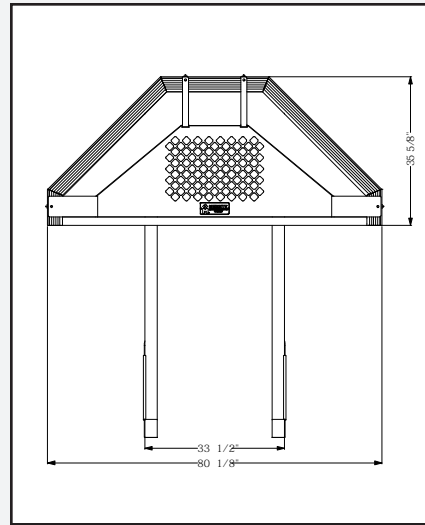
Order #	Description/Dimensions H x D x L	Shipping Weight
6313	Heavy Duty Hose Rack 86 x 23 1/2 x 80 1/2	120 lbs.

### OPTIONS

Order #	Description/Dimensions H x D x L	Shipping Weight
3511	Base Tray 2 1/4 x 23 5/8 x 30 1/4	10 lbs.
3512	Fitting Box 13 1/2 x 8 9/16 x 33 9/16 (specify height above frame)	27 lbs.
4872	Bracket between uprights	Air + Electric 5 lbs.
4873	Bracket between uprights	Blank - drill to spec. 6 lbs.

### MOUNTING KIT

Order #	Description	Shipping Weight
3502	Mounting Kit	23 lbs.



3511 Base Tray



3512 Fitting Box



3502 Mounting Kit

Models and/or Specifications Subject to Change Without Notice.

F.O.B. - Atlanta GA, Dallas TX, Henderson CO, Houston TX, Minneapolis MN, Pittsburgh PA, Sacramento CA, Kansas City KS, Calgary, AB (CA), Toronto, ON (CA)

Copyright © 2019 Merritt Aluminum Products Company. All Rights Reserved.





FOR THE DEALER NEAREST YOU CALL: **1-800-525-0107**  
**[www.merrittproducts.com](http://www.merrittproducts.com)**

**Builder of High Performance, High Quality Truck Products**

Follow us on Facebook!! 

- ▲ Space saving design mounts between the feet of a Merritt Cab Rack.
- ▲ Constructed of durable lightweight aluminum.
- ▲ Long lasting great look.

- ▲ Fluid level sight gauge with thermometer and metal guard for protection.
- ▲ Three Standard Models 30,55 and 70 gallon.
- ▲ Every tank is pressure tested for leaks.

- ▲ Two 2" ports in the bottom.
- ▲ 3/4" magnetic drain plug.
- ▲ Raised filler neck with O-ring sealed anodized cap for a cleaner system.
- ▲ 3/4" vent.

# HYDRAULIC TANKS



Hydraulic Tanks

28A

# HYDRAULIC TANKS

## ORDER INFORMATION

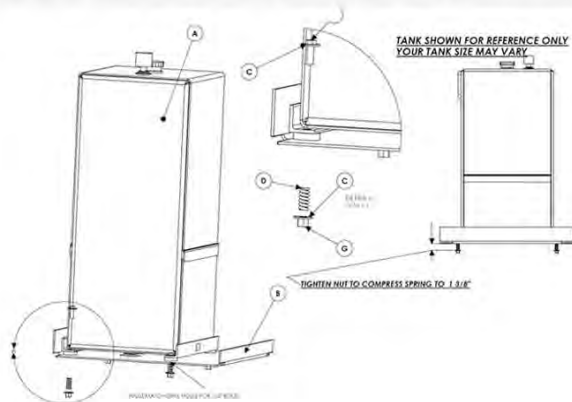
### Constructed of Durable Lightweight Aluminum.

- Space saving design mounts between the feet of a Merritt Cab Rack.
- Long lasting great look.
- Fluid level sight gauge with thermometer and metal guard for protection.
- Three Standard Models 30, 55 and 70 gallon.
- Every tank is pressure tested for leaks.
- Two 2 ports in the bottom. • 3/4 magnetic drain plug.
- Raised filler neck with O-ring sealed anodized cap for a cleaner system.
- 3/4 Vent.



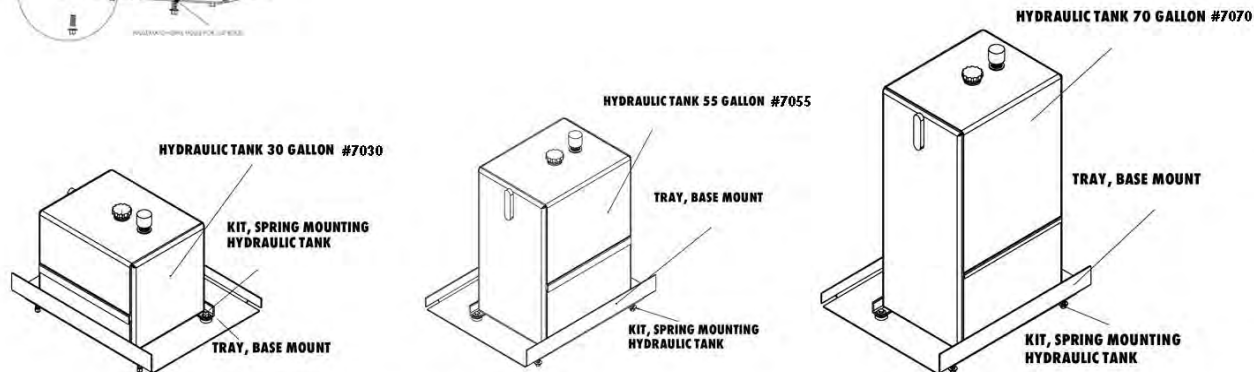
### HYDRAULIC TANKS

Order #	Description	Shipping Weight
7030	Hydraulic Tank 30 Gallon Capacity	93 Lbs.
7055	Hydraulic Tank 55 Gallon Capacity	118 Lbs.
7070	Hydraulic Tank 70 Gallon Capacity	138 Lbs.



### MOUNTING HARDWARE INCLUDED

NUT, 1/2" NF LOCK NYLON INSERT  
 SCREW, CAP 5/16-24 X 1 1/2  
 BUMPER, 2" ODX 1/2" ID X 1/2TK NEO  
 SPRING, COMP .576 ID X 1.665 LG BLK ZN  
 WASHER, 1/2 FLAT USS ZINC  
 TRAY, BASE MOUNT



Complete kits include: Reservoir assembly, breather cap, spring mounting kit, and installation plate for Cab Rack between the feet installation.

All Mounting Hardware Included

Models and/or Specifications Subject to Change Without Notice.

F.O.B. - Fort Lupton CO, Sacramento CA, Salt Lake City UT, Dallas TX, Houston TX, Kansas City MO, Minneapolis MN, Atlanta GA, Pittsburgh PA, Calgary AB (Canada), Toronto ON (Canada)







FOR THE DEALER NEAREST YOU CALL: **1-800-525-0107**

**[www.merrittproducts.com](http://www.merrittproducts.com)**

**Builder of High Performance, High Quality Truck Products**

Follow us on Facebook!! 

- ▲ Classic Merritt look.
- ▲ Built from our light weight and durable Aluminum D-Tube and I Beam.
- ▲ Built to last.
- ▲ Unit only weighs 50 lbs.
- ▲ Two models to accommodate fire and wheel options.
- ▲ One model fits 22.5 and 24.5.
- ▲ One model fits super single tires.
- ▲ Easy install.
- ▲ Mounts cross frame behind Truck Cab.
- ▲ Heavy duty mounting kit available for a durable installation.

# E-Z SPARE TIRE CARRIER

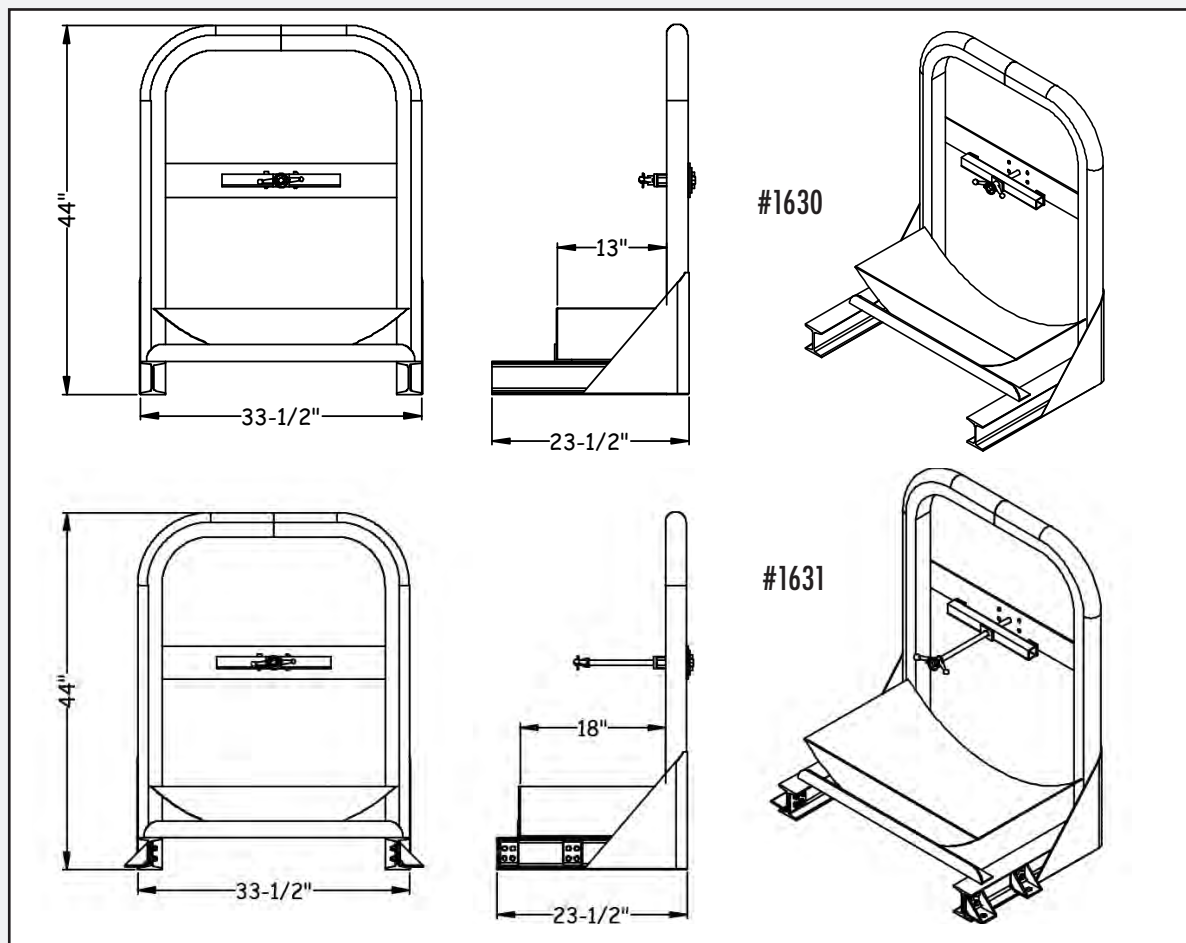


E-Z Spare Tire Carrier

**29A**

# E-Z SPARE TIRE CARRIER

## ORDER INFORMATION



### E-Z SPARE TIRE CARRIER

Order #	Description	Shipping Weight
1630	Spare Tire Carrier 22.5 and 24.5 13" Tray	43 Lbs.
1631	Spare Tire Carrier Super Single 18" Tray	55 Lbs.

### MOUNTING KITS

Order #	Description	Shipping Weight
3502	Mounting Kit for 1630	23 Lbs.
3539	Mounting Kit for 1631	17 Lbs.



3502



3539

Models and/or Specifications Subject to Change Without Notice.

F.O.B. - Atlanta GA, Dallas TX, Henderson CO, Houston TX, Minneapolis MN, Pittsburgh PA, Sacramento CA, Kansas City KS, Calgary, AB (CA), Toronto, ON (CA)

